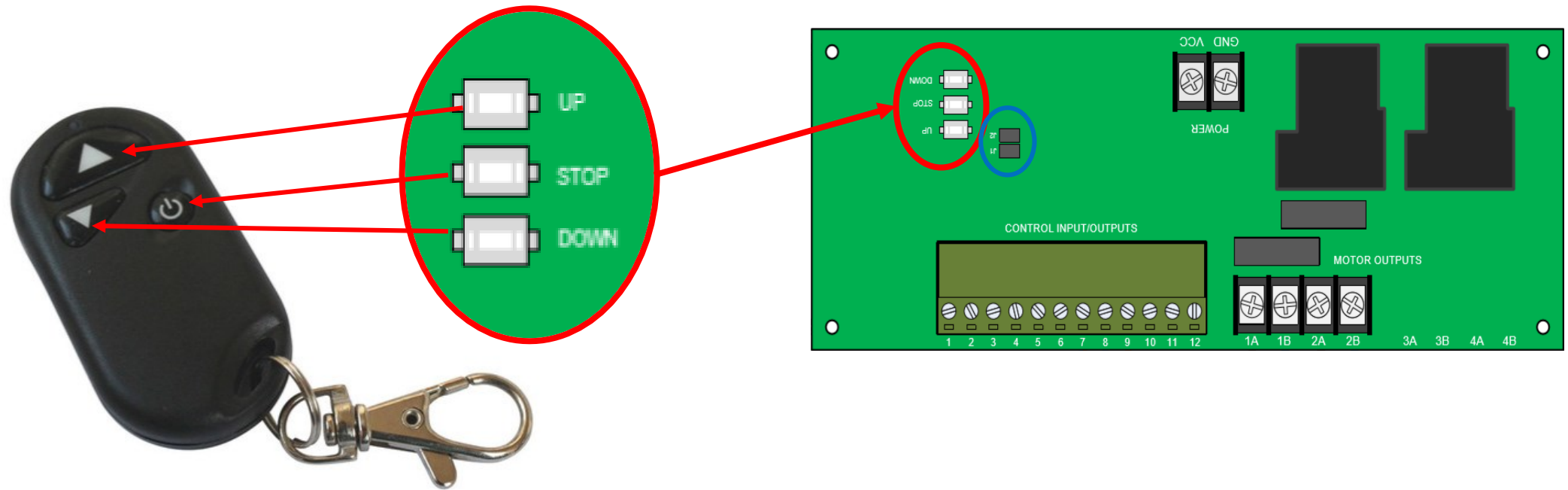


# Programming a remote to work with integrated control unit



- Press and hold the **DOWN** button on the PCB, the LED will light up as circled in blue
  - Press and hold **DOWN** button on the remote, the LED light will start to flash
  - Release the **DOWN** button on the PCB but still hold the **DOWN** button on the remote until you hear a click and LED flashes faster
  - When you hear the click that is confirmation that the two buttons have been paired
- Repeat the above for **STOP** and **UP** buttons