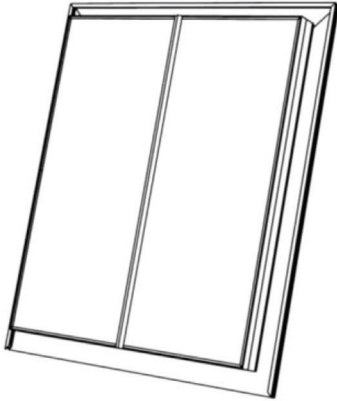
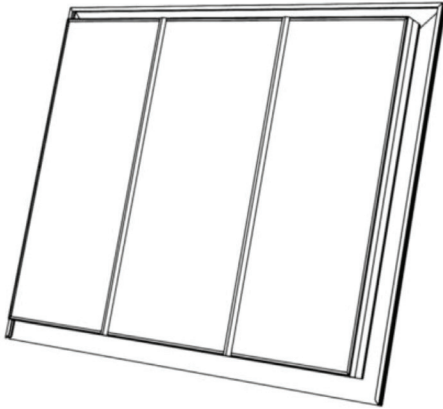
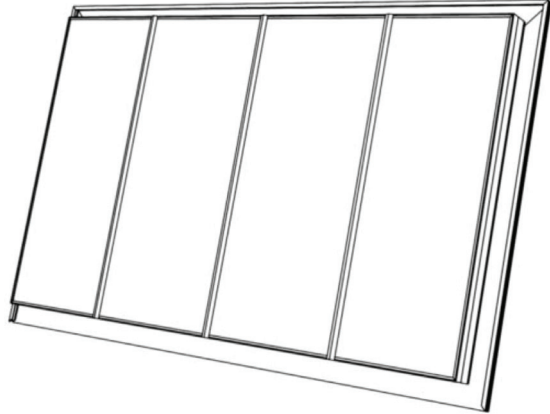


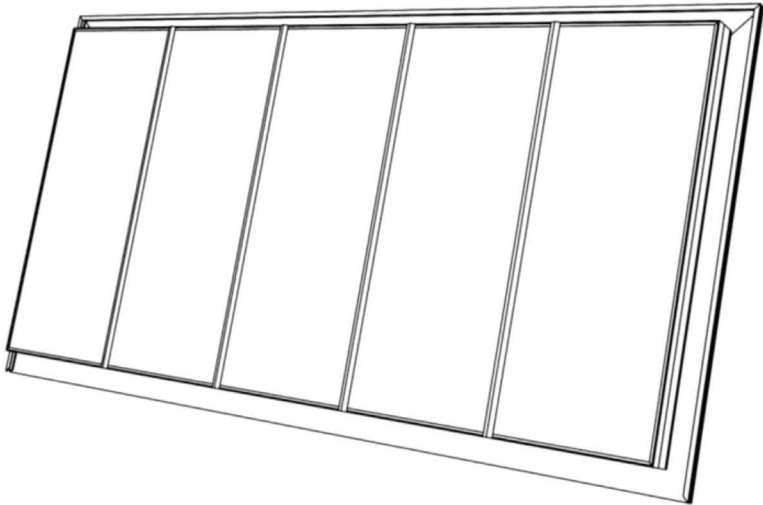
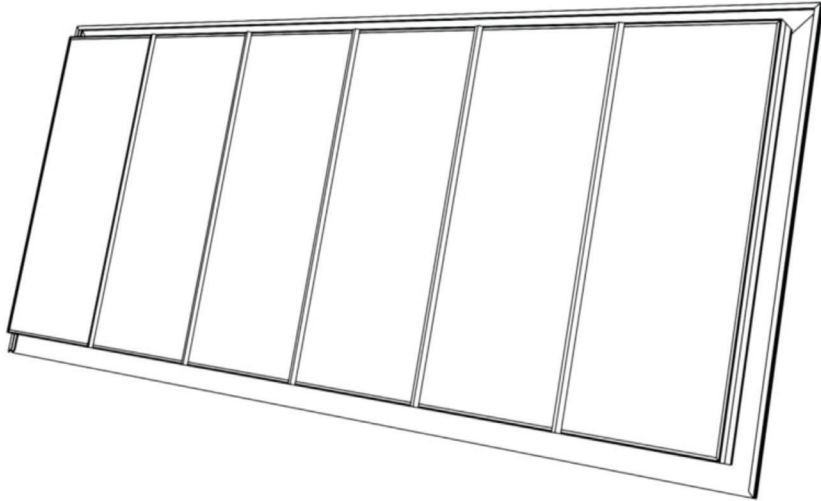
ROOF MAKER

WORLD CLASS ROOFLIGHTS

CONSERVATION LUXLITE™ – SPLIT BAR CONFIGURATION GUIDE

This guide shows the number of split bars that will be structurally bonded to the surface of the glass as standard, which is dependent on the width of your Conservation Luxlite™. This will be the same for both fixed and opening variations. However, the number of split bars can be increased or decreased based on your specific requirements, which can be discussed with a member of the sales team when you make an enquiry.

Number of split bars:	1 split	2 splits	3 splits
Width of rooflight:	400mm - 1000mm	1001mm - 1500mm	1501mm - 2000mm
Image:			

Number of split bars:	4 splits	5 splits
Width of rooflight:	2001mm - 2500mm	2501mm - 3000mm
Image:		

Contact our sales team, pop into our Leicester showroom or go online for a quote.

We also offer factory tours if you would like to see and experience our handcrafted manufacturing process directly.

ROOF MAKER

WORLD CLASS ROOFLIGHTS

0116 269 6297 | sales@roof-maker.co.uk

1 Pinfold Road, Thurmaston, Leicester LE4 8AS

Monday to Friday 9.00am to 5.00pm | Saturday 10.00am to 4.00pm | Sunday Closed