

ROOF MAKER

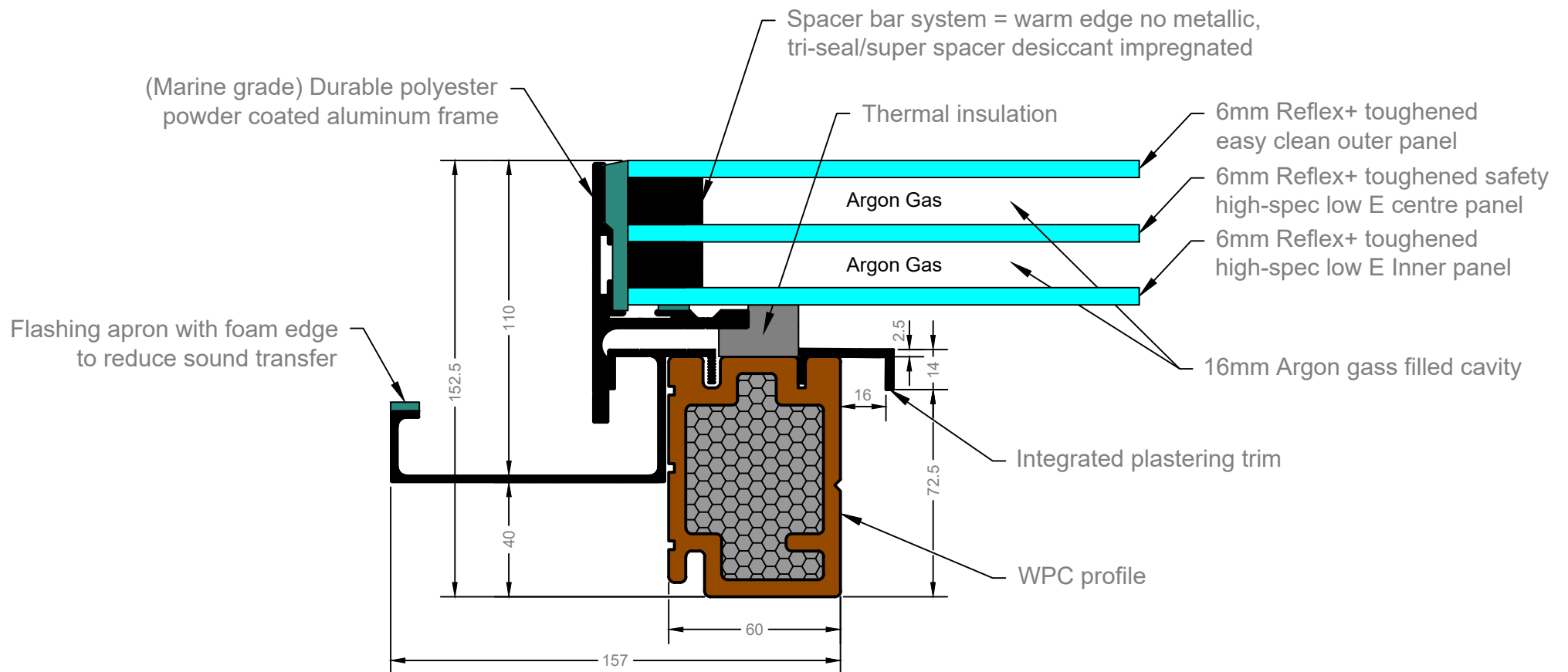
WORLD CLASS ROOFLIGHTS



PRODUCT SPECIFICATION AND INSTALLATION GUIDE

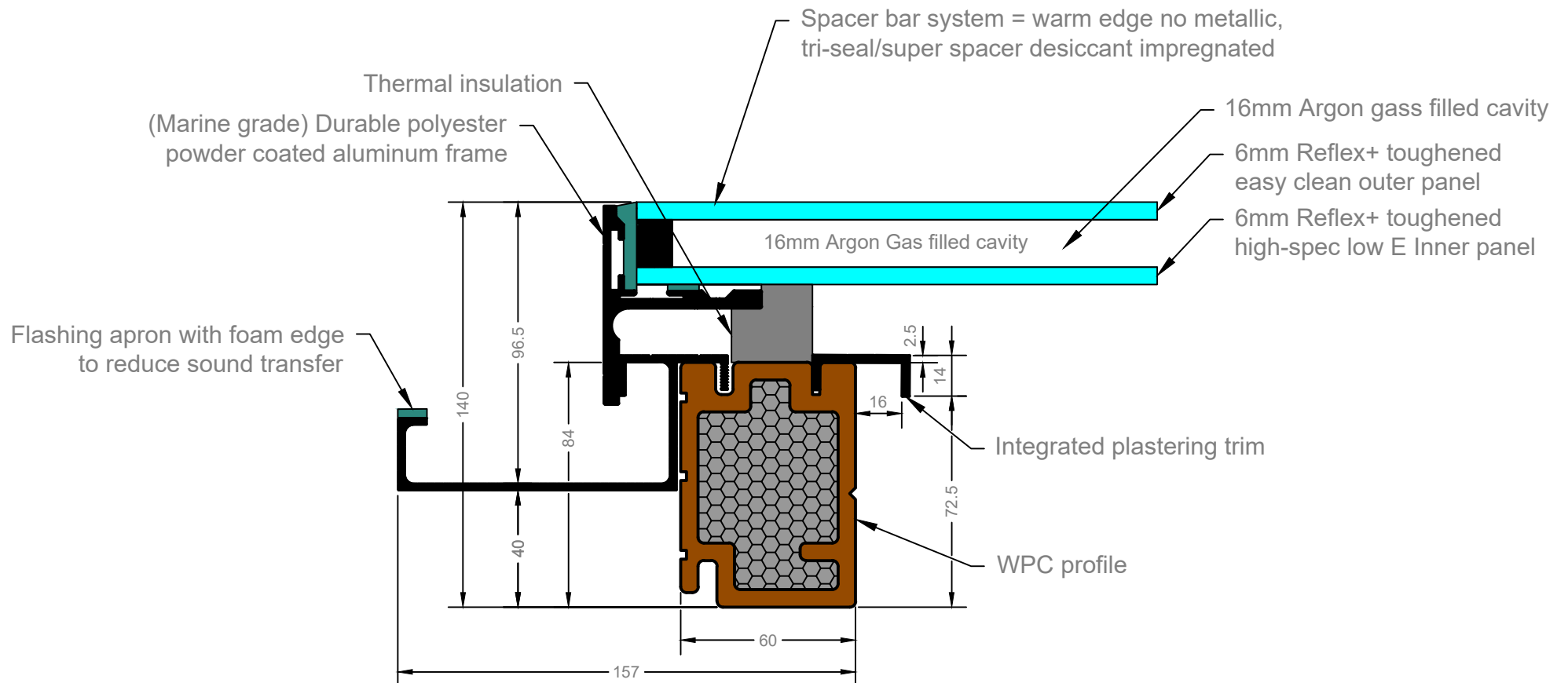
FIXED & OPENING CONSERVATION LUXLITE™

FIXED & OPENING CONSERVATION LUXLITE : STANDARD PRODUCT SPECIFICATION



- Toughened to BS EN 12150
- Manufactured to BS EN 1279 Part 2 & 3
- Standard Energy Glass unit shown above

FIXED & OPENING CONSERVATION LUXLITE : STANDARD PRODUCT SPECIFICATION

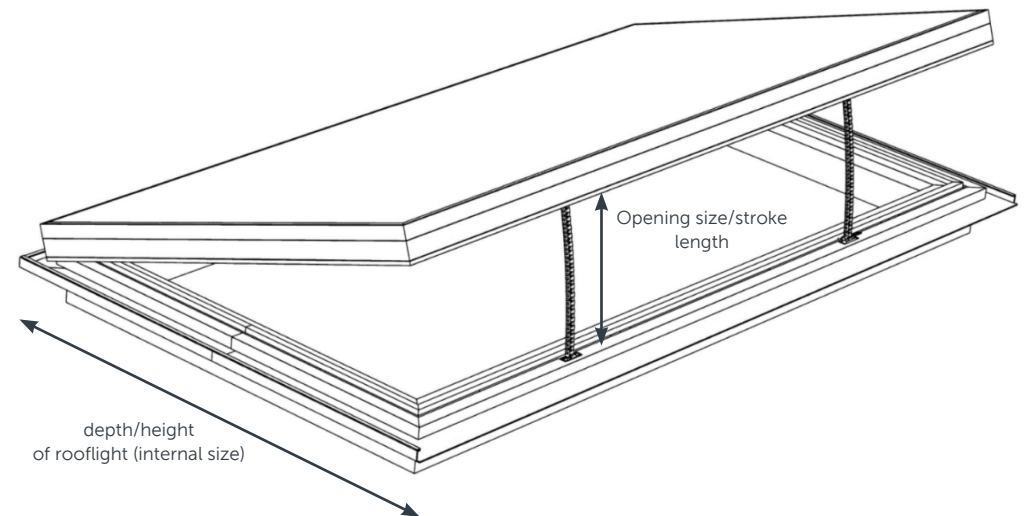
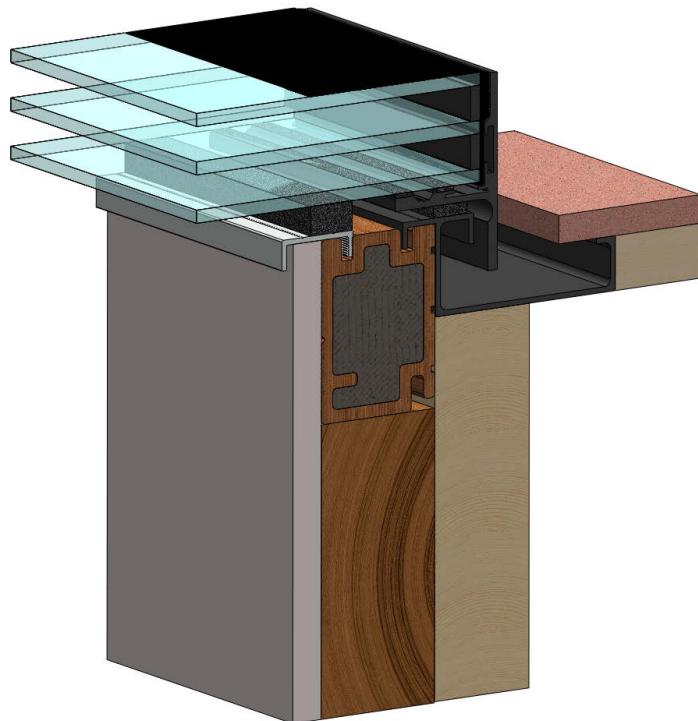


- Toughened to BS EN 12150
- Manufactured to BS EN 1279 Part 2 & 3
- Standard Energy Glass unit shown above

OPENING SIZE GUIDE FOR THE FIXED & OPENING CONSERVATION LUXLITE™

The maximum opening capacity of your conservation Luxlite™ will depend on the size of the rooflight you have ordered. The potential opening size ranges from 250mm to 300mm.

Conservation Luxlite™ rooflights will be top hung with the hinges located along the top of the rooflight, and the opening located at the bottom of the rooflight. It is the distance running from top to bottom of the rooflight which we refer to as the internal height or depth. The stroke length refers to the length of the chain and in turn, the size of the opening that will be achieved when fully open.



CONSERVATION LUXLITE™: INSTALLATION INSTRUCTIONS



ON DELIVERY OF YOUR NEW CONSERVATION LUXLITE™, YOU WILL RECEIVE;

*CONTROL SWITCH, REMOTE AND RAIN SENSOR

- Control and switch combo unit (86x86x35mm)
- Remote control
- Long Screws for fixing the rooflight to the rafters and trimmers
- Rain sensor with mounting bracket

*IF CONTROL SWITCH CONTROLLED...

- Control switch
- Long Screws for fixing the rooflight to the rafters and trimmers

**All additional accessories and components will come with your rooflight delivery and be packaged in a cardboard box.*

**When fixing the rooflight down with screws, it is highly recommended to pilot a hole first.*

IN ADDITION, YOU WILL NEED;

- Silicone Adhesive Sealant (high quality; Dow Corning 791 recommended)
- Drill, bits and screws as required
- Materials to prepare a wedge (as outlined in the guide)
- Lead flashing - code 4 recommended or suitable alternative (as outlined in the guide)

INSTALLATION GUIDE

Please make sure you read through all steps and understand all requirements before beginning assembly.

Please ensure you adhere to the correct guidelines for moving heavy objects and working at height. Be sure to use the correct lifting equipment.

PLEASE NOTE: You must not use glass suction pads to lift the unit on to the roof, as this can compromise the glazing seal. The unit will come with timber feet attached to the four corners, which we suggest should be used to handle the unit. If the use of a crane is required, either securely place the unit on to a pallet or attach additional timber to the existing timber feet, so the crane straps can be looped around securely. Avoid putting pressure on the built in flashing apron.

GUIDE WEIGHTS

Size (mm)	Landscape Weight (kg)	Portrait Weight (kg)
400x400	37	37
600x600	56	56
900x700	78	78
1400x700	108	108
1000x1000	107	107
1500x1000	143	143
2000x1000	180	180
2400x1000	215	168
3000x1000	258	201
1500x1200	164	164
2000x1200	211	211
2400x1200	243	243

PLEASE NOTE - weights stated can vary and work to a +/- 10% tolerance. We can provide weights for sizes not listed. In some cases, lightweight glazing is used dependant on rooflight size and orientation. This explains why some weights vary on the chart above, when comparing portrait and landscape rooflights of the same size.

ROOF MAKER

WORLD CLASS ROOFLIGHTS

Call us: 0116 269 6297
Mon-Fri 9-5pm

STEP ONE

FIT TRIMMERS TO YOUR JOISTS

The internal dimensions of the aperture created by your joists should support the conservation Luxlite™ you ordered. (e.g. for 2000x1000mm Luxlite™, the internal dimensions of your aperture should be 2130x1130mm).

Allowing for manufacturing tolerance.

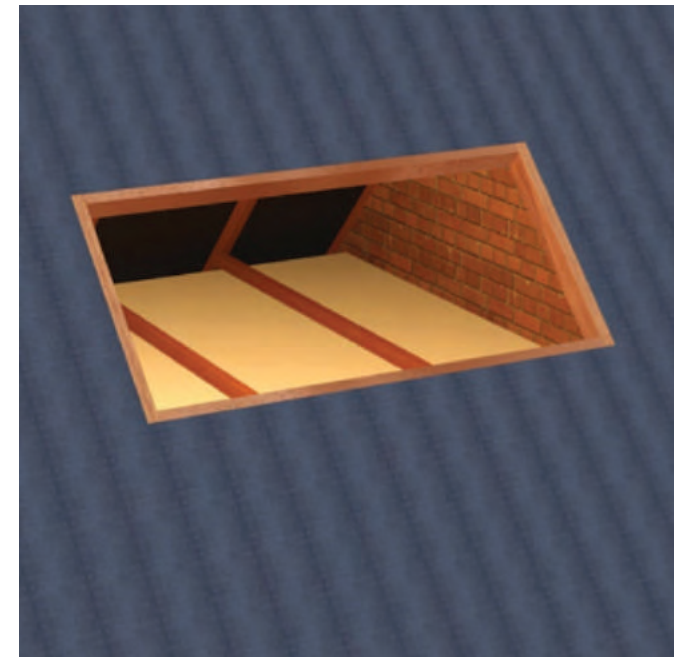
Fit additional structural members to support outer WPC frame around the rooflight. See cross section diagram of roof on page 8.



STEP TWO

FIT UNDERFELT TO YOUR ROOF

Fit underfelt to your roof. This should extend to the rim of the aperture where your Conservation Luxlite™ will be installed. Seal the underfelt to the timber around the aperture.



ROOF MAKER

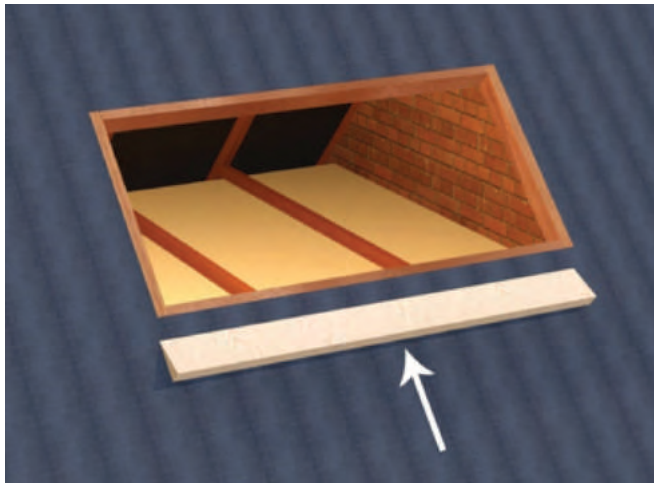
WORLD CLASS ROOFLIGHTS

Call us: 0116 269 6297
Mon-Fri 9-5pm

STEP THREE

PREPARE AND FIT A TIMBER WEDGE BELOW THE APERTURE

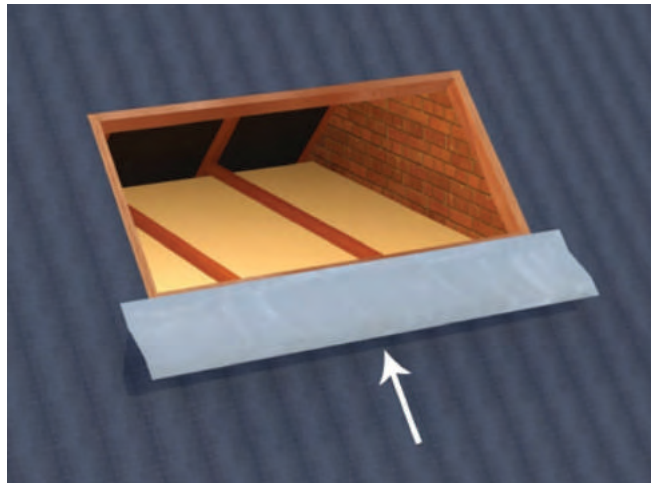
The bottom of the wedge should meet level with the tiles that will be installed later. This can be determined by trial fitting the Luxlite™ assembly. The wedge should be at least as wide as the Luxlite™ apron. The position and angle of the wedge is dependent on the roof type set out.



STEP FOUR

COVER THE WEDGE WITH FLASHING

Cover the wedge installed in the previous step with flashing (flashing and wedge not provided). The flashing width should be at least 100mm (either side) greater than the welded Luxlite™ apron. It is also important that the highlighted edge of the flashing (left) is tucked underneath the welded Luxlite™ apron.

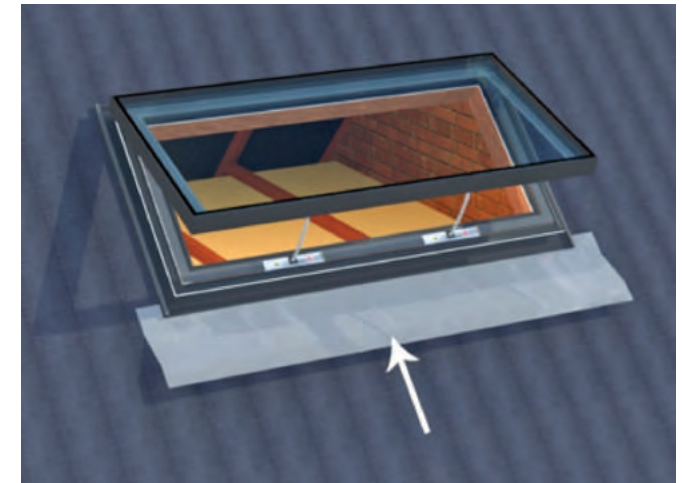


STEP FIVE

BRING YOUR LUXLITE™ INTO POSITION

Bring your Luxlite™ into position and align it so that it is centred on your aperture.

Seal the interface between the Luxlite™ and the aperture with silicone.



ROOF MAKER

WORLD CLASS ROOFLIGHTS

Call us: 0116 269 6297
Mon-Fri 9-5pm

STEP SIX

FIX YOUR LUXLITE™ TO THE ROOF

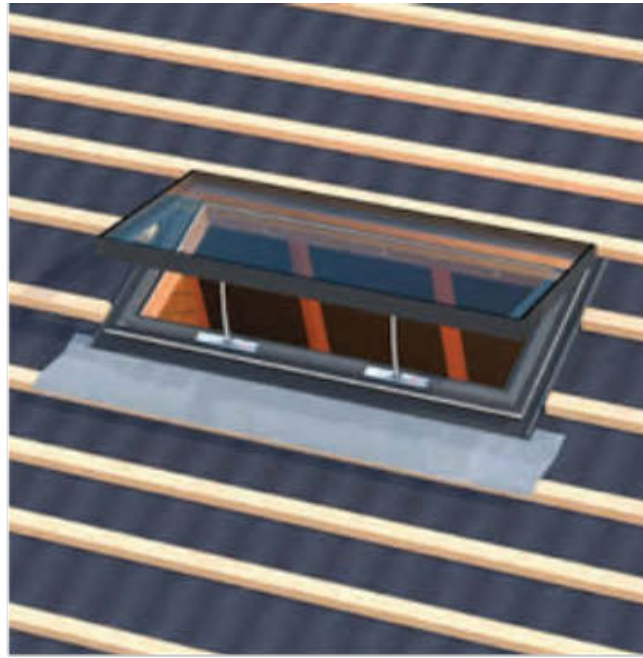
Use the provided screws and brackets to fix your Luxlite™ to your roof. You should have enough brackets to fix your rooflight at approx. 500mm centres around the internal perimeter.



STEP SEVEN

FIT BATTENS TO THE ROOF

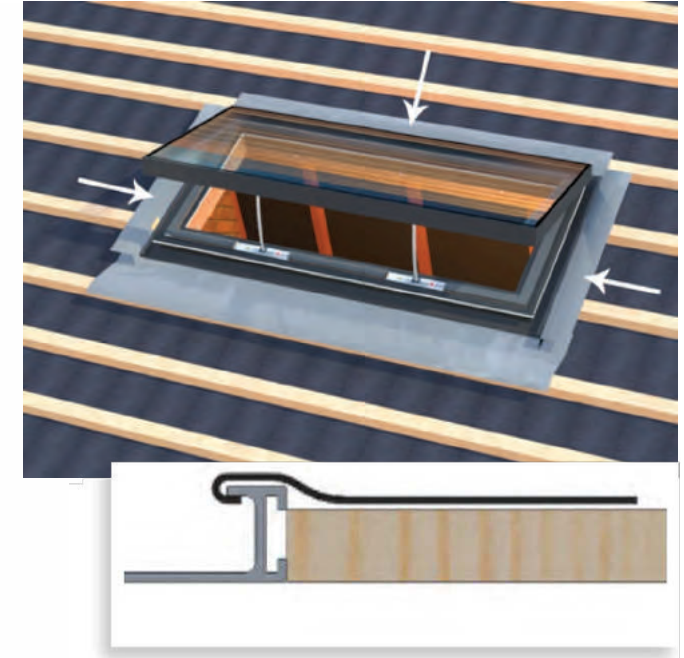
Tile battens can now be fitted to your roof. The battens should be flush with the edge of the Luxlite™ aluminium apron.



STEP EIGHT

FIT FLASHING TO COVER THE BATTENS

Seal the flashing beneath the lip of the apron and drape over battens. Tiles will sit over this flashing.



ROOF MAKER

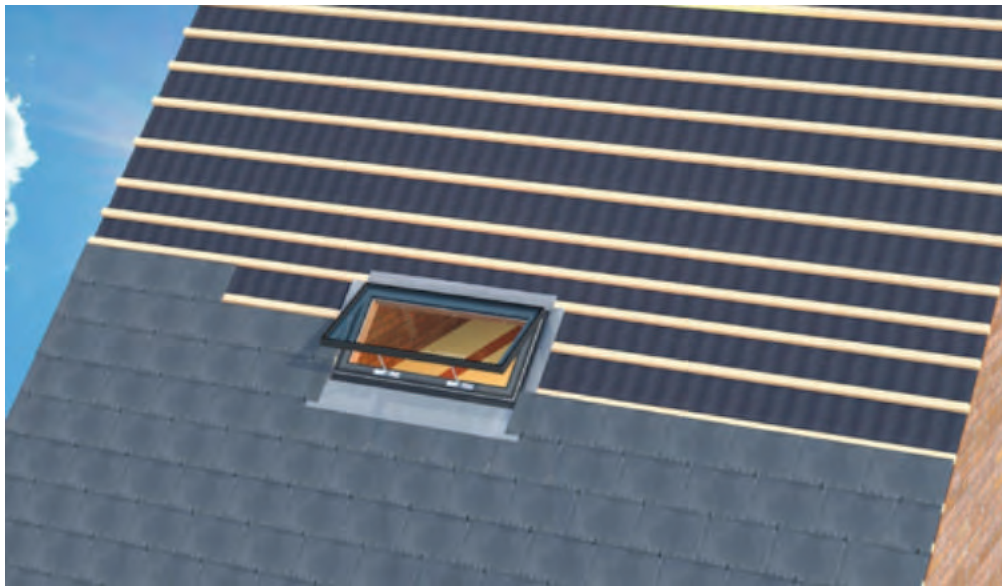
WORLD CLASS ROOFLIGHTS

Call us: 0116 269 6297
Mon-Fri 9-5pm

STEP NINE

FIT TILES TO THE ROOF

You are now free to fit tiles to your roof. The Luxlite™ has been designed so that your roof tiles can overlap the apron, leaving little aluminium exposed for a minimalistic aesthetic.

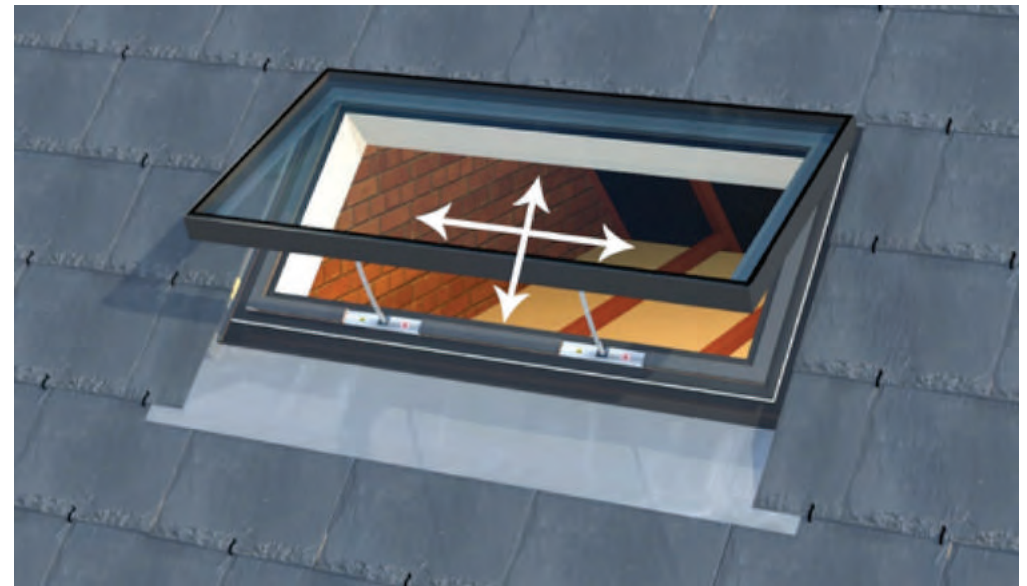


STEP TEN

PLASTERBOARD TO FINISH ASSEMBLY

Apply plasterboard to the internal faces of your aperture. The plasterboard is to be applied up to the internal trim of the Luxlite™ (for plastering finish guidelines, please follow the roof section fitting guide on page 8).

Your Luxlite™ is now fully installed.

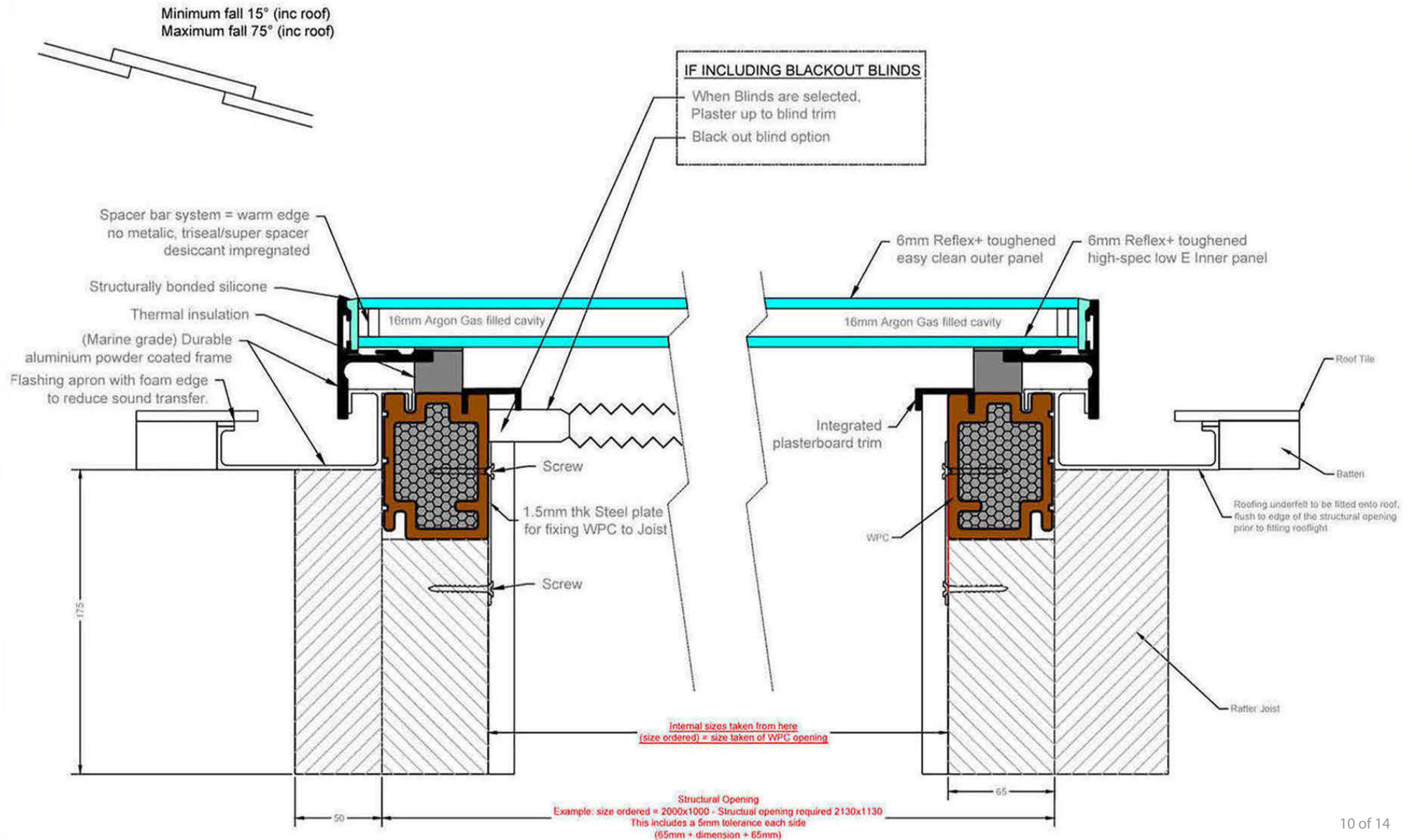


ROOF MAKER

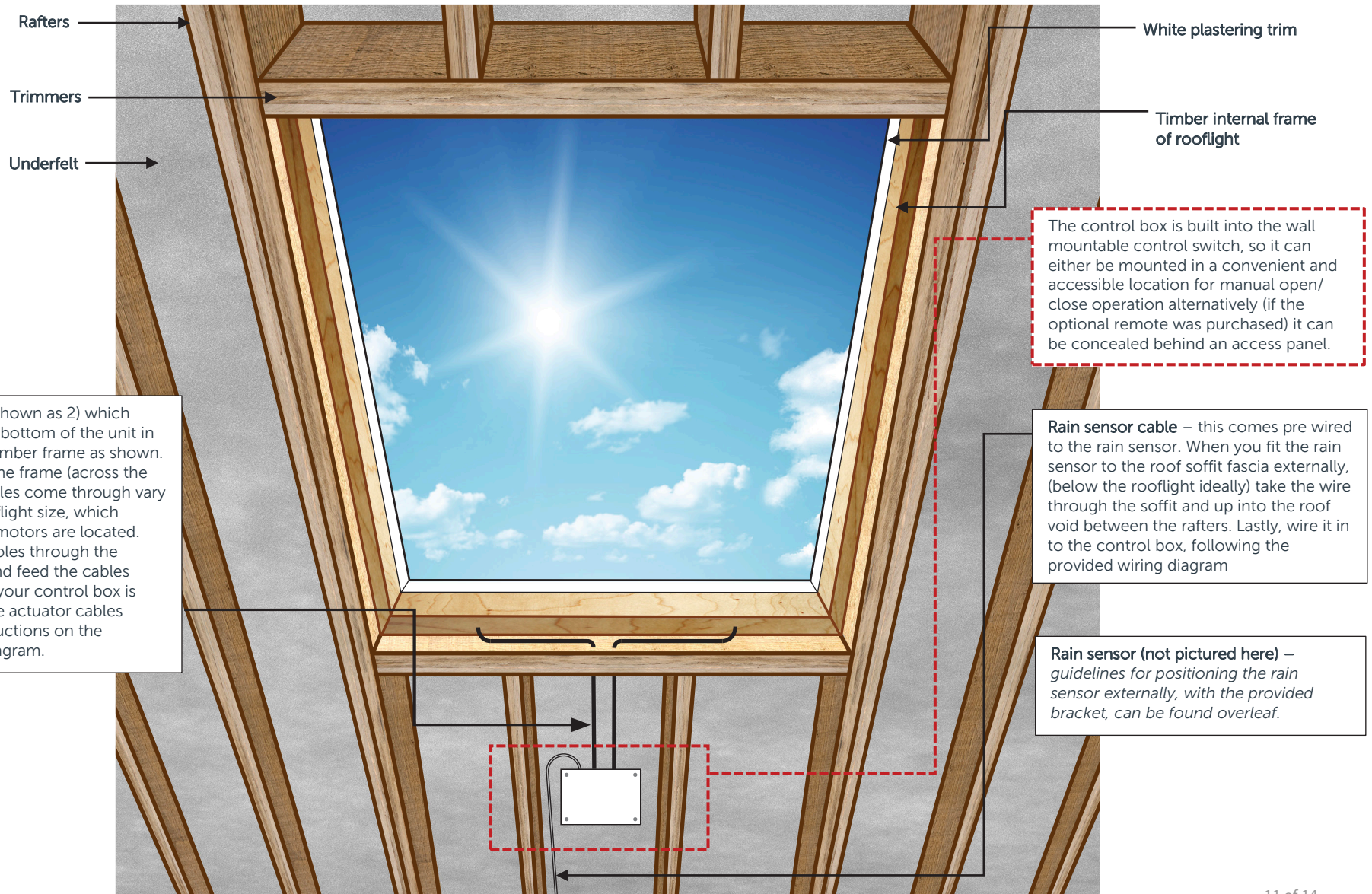
WORLD CLASS ROOFLIGHTS

Call us: 0116 269 6297
Mon-Fri 9-5pm

ROOF SECTION FITTING GUIDE

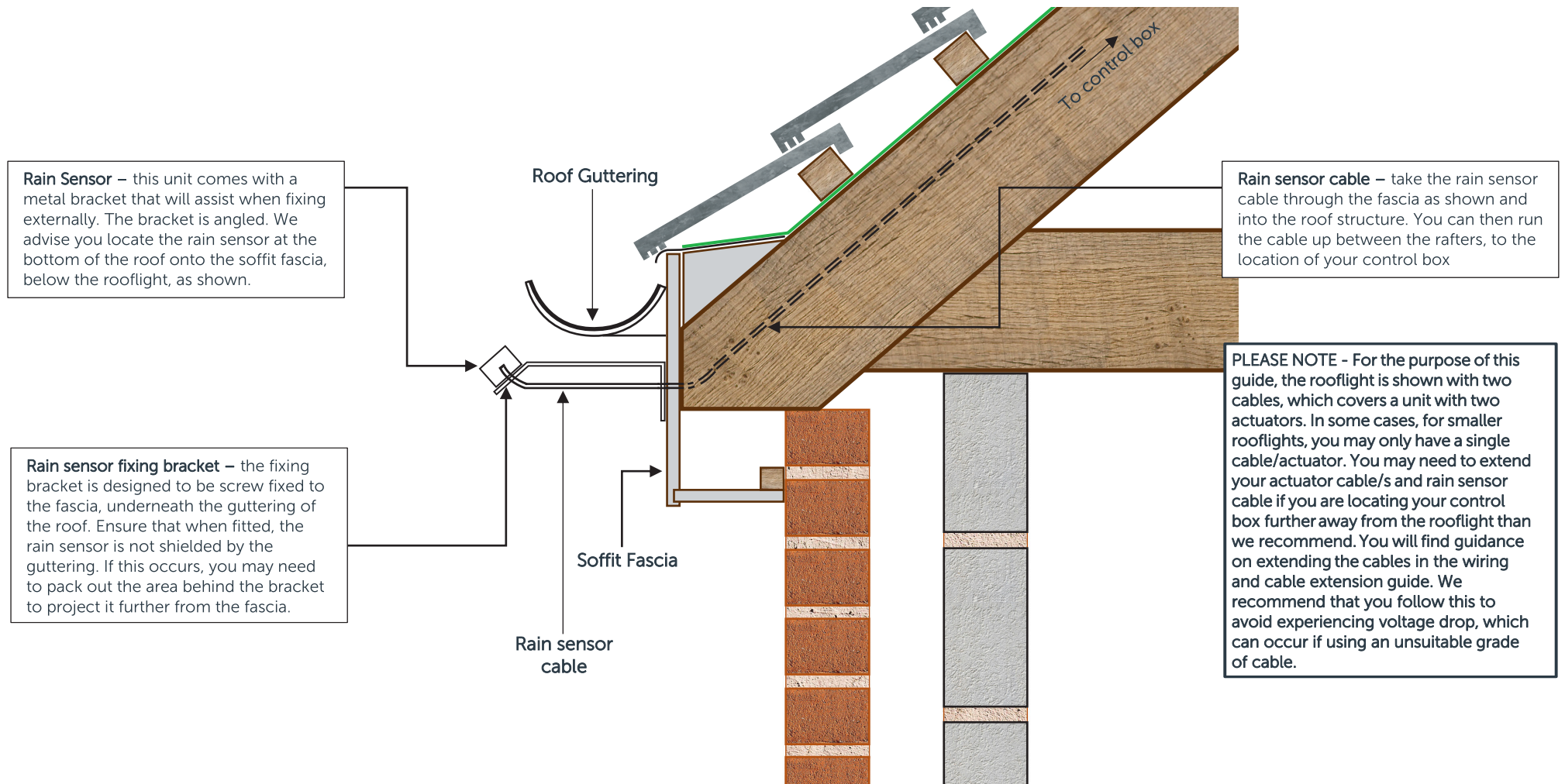


REMOTE CONTROLLED OPENING CONSERVATION LUXLITE™ – CABLE LOCATION GUIDELINES (not to scale)



REMOTE CONTROLLED OPENING CONSERVATION LUXLITE™ – CABLE LOCATION GUIDELINES (not to scale)

The below diagram shows a roof section of the roof Soffit Fascia, which is the location that you should position the rain sensor for your Luxlite™



REMOTE CONTROLLED ROOFLIGHTS: WIRING AND CABLE EXTENSION GUIDE

Wiring Guide - Control Box

The dimensions of the control box are 86x86x35mm. The control box doubles up as a wall mountable control switch, so it can either be mounted in a convenient and accessible location - or alternatively (if the optional remote was purchased) it can be concealed behind an access panel. The diagram below explains how to connect the power supply, the rooflight actuator/s and rain sensor. There are various different types of actuator cabling, which will vary dependant on the type and size of the rooflight. These options can be found overleaf along with guidelines on how to wire them in to the motor output pairs.

Mains Power 230v AC

We Recommend you run off a fused spur placed in an easy to access location, enabling you to isolate power to your rooflight if required.

Neutral to 'N'
Earth to 'E'
Live to 'L'

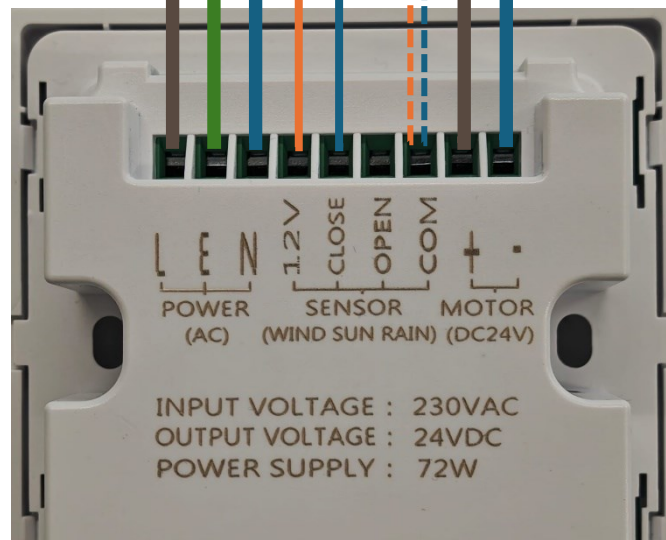
Optional Rain Sensor*

Solid Orange to '12V'
Solid Blue to 'CLOSE'
Orange/White to 'COM'
Blue/White to 'COM'

Rooflight Actuator*

Connect multiple actuators to the same the terminals for rooflight.

Live (+)
Neutral (-)



*PLEASE NOTE WHEN EXTENDING CABLES...

From Rooflight Actuator – Your rooflight actuator/s will come with approx. 1 metre of cable, so extending your cables to the location of your control module will be necessary. Due to the motor/s being 24v, you need to ensure you use a cable with a minimum 2mm core thickness when extending your cables. If extending over 10m, increase thickness to 2.5mm core.

For 2 motors, you need to ensure both cables are the same length, to avoid your motors operating at different speeds.

From Rain Sensor – Please follow exactly the same guidance as the rooflight actuator in terms of cable thickness required. You may use a 3-core cable, as the orange/white & blue/white cables can run into a single core (both are wired to the COM terminal).

REMOTE CONTROLLED ROOFLIGHTS: WIRING AND CABLE EXTENSION GUIDE

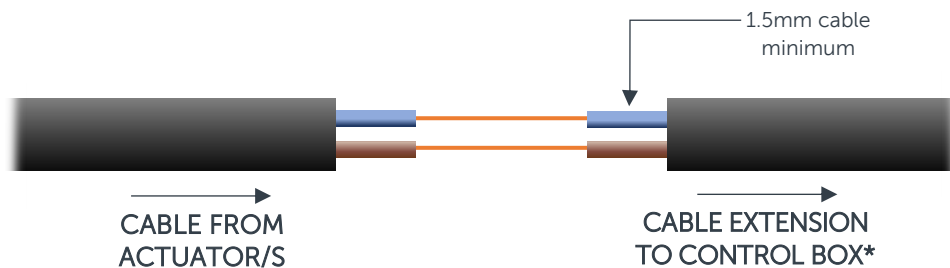
Cable Extension Guide

This guide explains how to extend the cabling for opening rooflights, which feature remote controlled operation and rain sensors. In some scenarios, dependant on where your rooflight is located and where you wish to place the control box, extending the cables might be a requirement. Your electrician must ensure that a suitable cable is used to avoid voltage drop occurring. This guide covers the **Slide Opening Rooflight and Lantern** and the remote-controlled versions of the **Hinged Opening Flat Rooflight** and **Hinged Opening Luxlite™**.

Here you will find guidance for extending cables up to a length of 15 metres. If you do need to extend further than 15 metres, please contact our technical department for advice.

The cable extension requirements for the rain sensor cable are outlined below and remain the same for all rooflights covered in this guide.

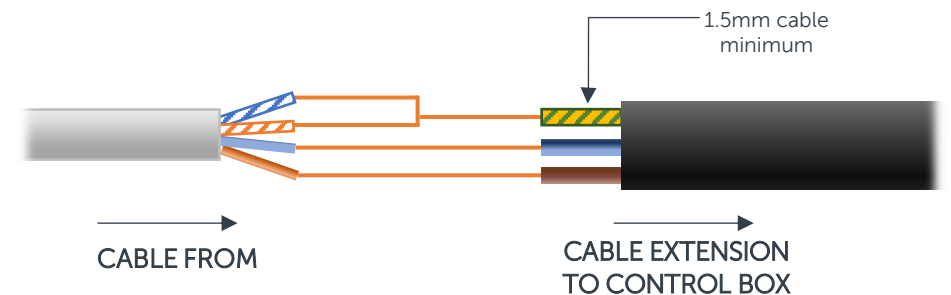
2 CORE ACTUATOR CABLE/S



For your extension cable, you will require a 2-core cable (minimum) with core cabling of a minimum 1.5mm diameter to avoid voltage drop, up to 10 metres. **If extending between 10-15 metres, use a minimum 2.5mm core cable.**

**If your rooflight has 2 actuator cables that need to be extended, please ensure they are extended to exactly the same length to avoid the motors operating at different speeds.*

RAIN SENSOR CABLE



Rain sensor cable will be a 4-core cable;
12-volt input (orange)
Signal (blue)
2 ground cables (white/orange) (white/blue)

For your extension cable, you will require a 3-core cable with core cabling of a minimum 1.5mm diameter to avoid voltage drop, up to 10 metres. **If extending between 10 -15 metres, use a minimum 2.5mm core cable.**