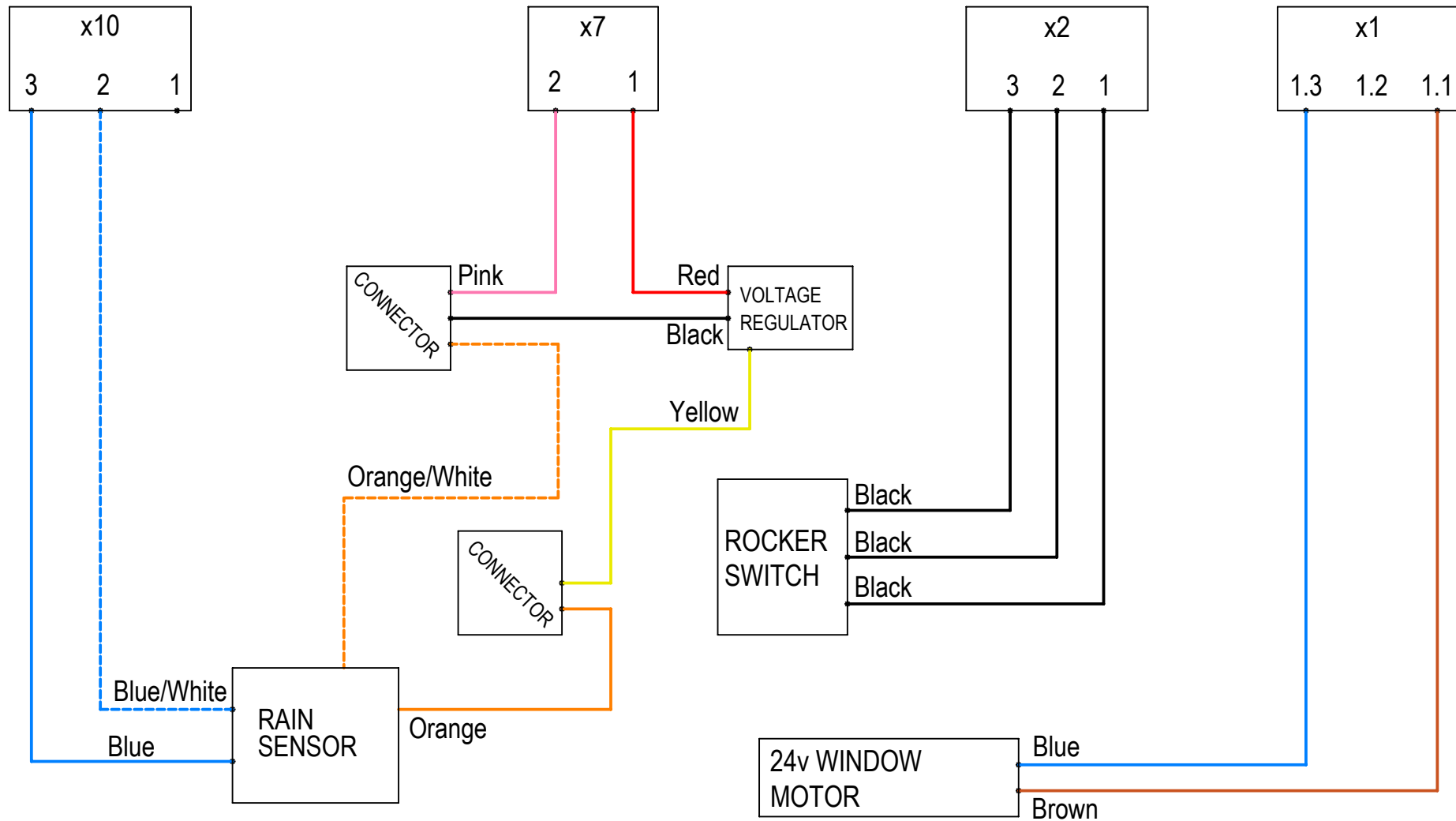


WCC 103 0102 - Rain Sensor & Rocker Switch Circuit Diagram



Note: In early versions of the control box the pink wire may be blue