

# ROOF MAKER

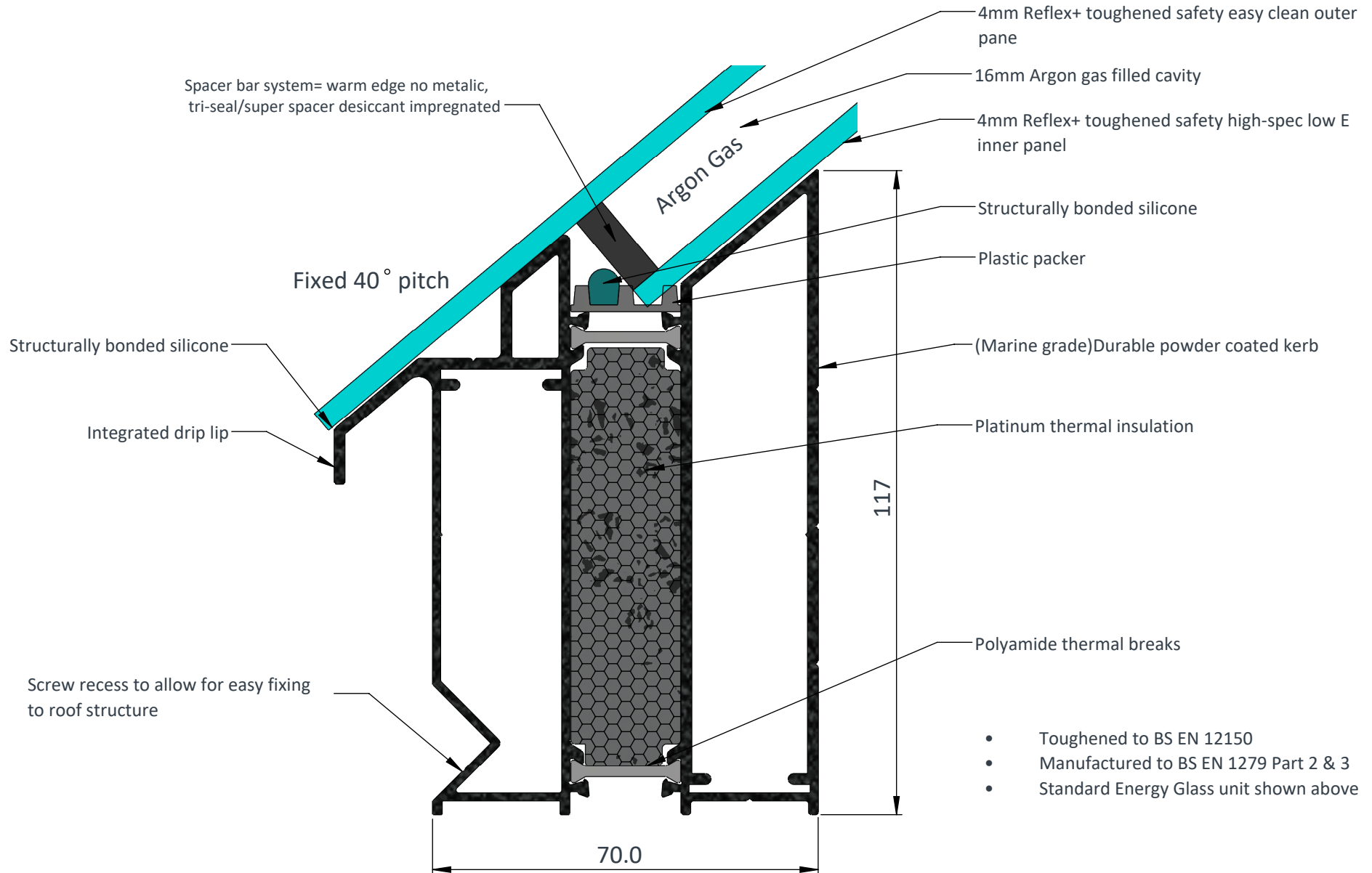
WORLD CLASS ROOFLIGHTS



## PRODUCT SPECIFICATION & INSTALLATION GUIDE

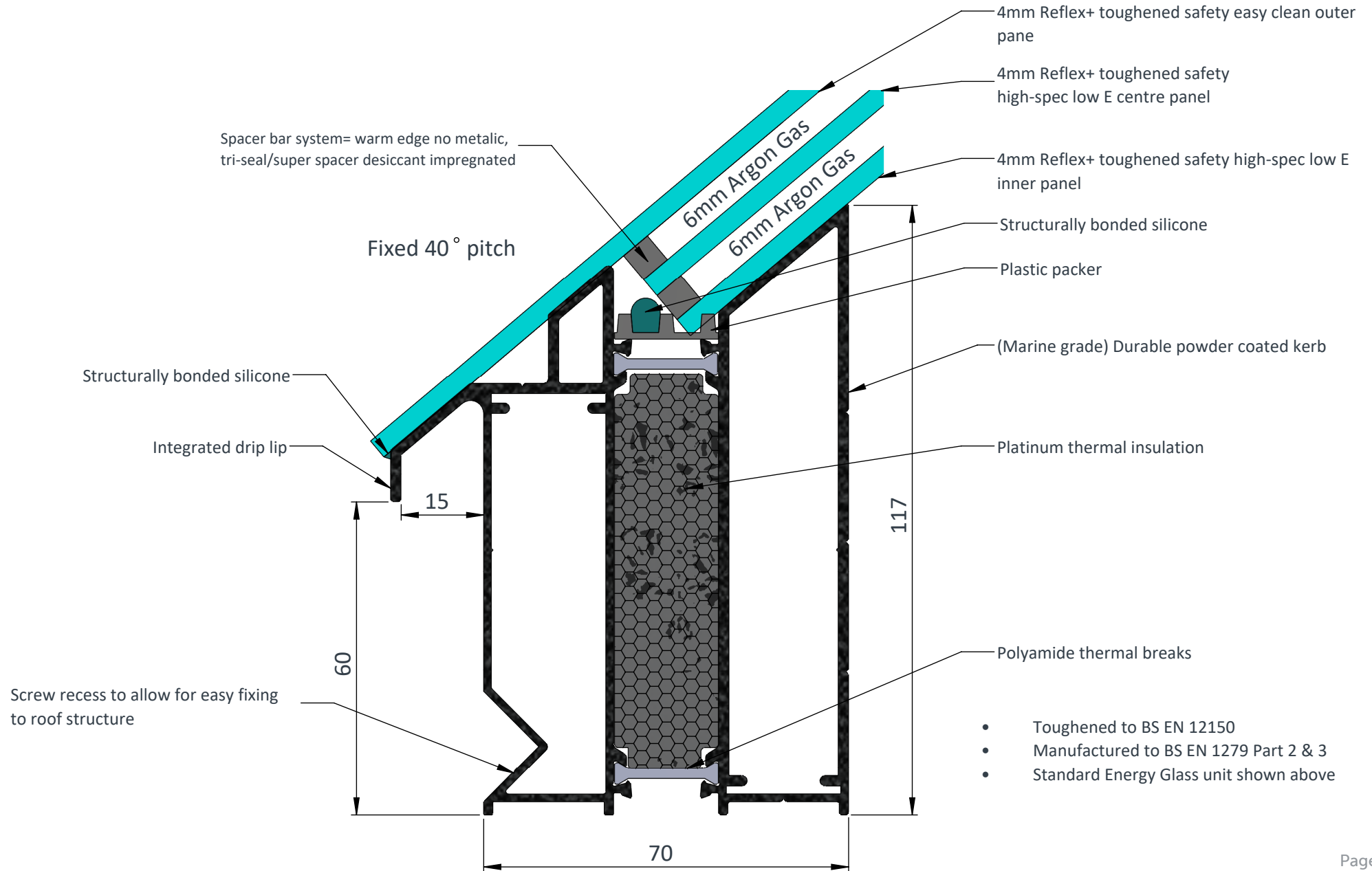
### FULLY ASSEMBLED PYRAMID LANTERN

DOUBLE GLAZED PYRAMID LANTERN  
STANDARD PRODUCT SPECIFICATION



- Toughened to BS EN 12150
- Manufactured to BS EN 1279 Part 2 & 3
- Standard Energy Glass unit shown above

TRIPLE GLAZED PYRAMID LANTERN  
STANDARD PRODUCT SPECIFICATION



## FULLY ASSEMBLED PYRAMID LANTERN: INSTALLATION GUIDE

### INTRODUCTION TO THE GUIDE

This guide covers the installation of a Pyramid roof lantern, where you have opted to receive it fully assembled.

**PLEASE NOTE:** For roof lanterns that feature blackout blinds, there is a blackout blind wiring guide available which we can provide, or is available to download in the technical section on our website. This also outlines the additional components that you will receive, such as the remote control and power pack.

### ON DELIVERY, YOU WILL RECEIVE;

- Your fully assembled Pyramid Roof Lantern

### IN ADDITION, YOU WILL NEED;

- Silicone sealant (recommended Dow Corning 791) for fixing the upstand frame to the Timber kerb
- Timber screws for fixing the upstand frame to the timber kerb (*Min. 50mm length*)
- Drill with hss drill bit to pre-drill the aluminium upstand before screw fixing to timber kerb

*Please adhere to the relevant Health and Safety guidelines when moving heavy objects and working at height. The weights provided below are for your guidance only.*

PYRAMID ROOF LANTERN		
Size (mm)	Double glazed Weight (KG)	Triple glazed Weight (KG)
400 x 400	16	18
700 x 700	32	40
1000 x 1000	55	70
1200 x 1200	73	95
1500 x 1500	105	140
1700 x 1700	130	174
2000 x 2000	172	233

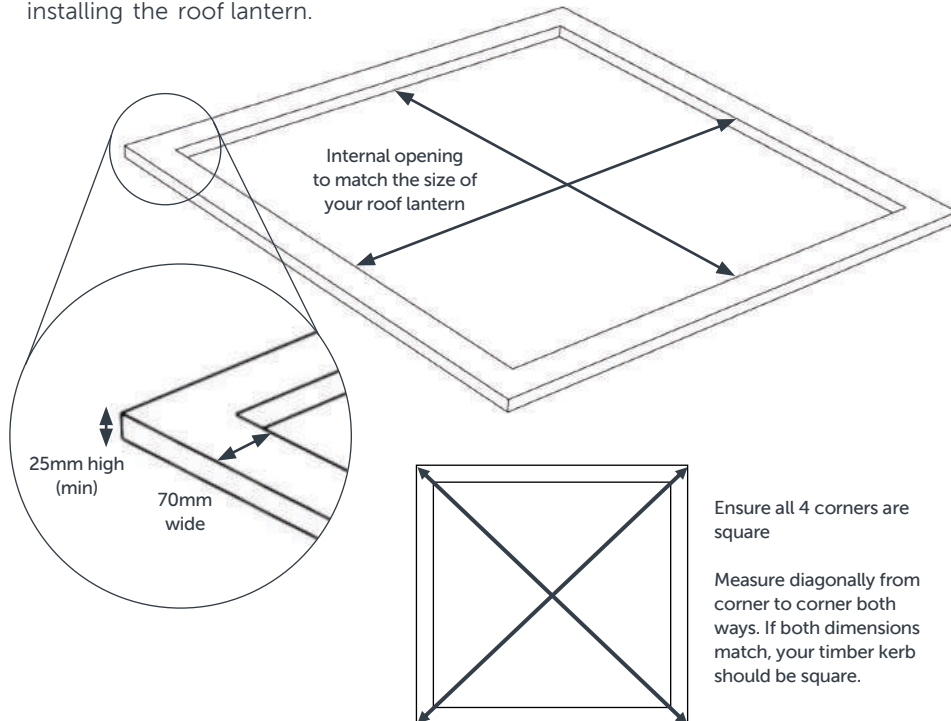
## STEP 1:

### PREPARE THE TIMBER KERB

Before you begin the installation of your new roof lantern, you will have installed the timber kerb. The size of the internal opening should reflect the exact size of the roof lantern you have ordered. For example, the roof opening should measure exactly 1m x 1m for a unit that measures 1m x 1m.

Your timber kerb should measure 70mm in width, to match the width of the built-in upstand frame. We recommend a minimum height of 25mm from roof level, but this can be increased if required.

The upstand should be perfectly level and we also recommend that you check the corners have a 90° angle, by measuring it diagonally from corner to corner before installing the roof lantern.



Ensure all 4 corners are square

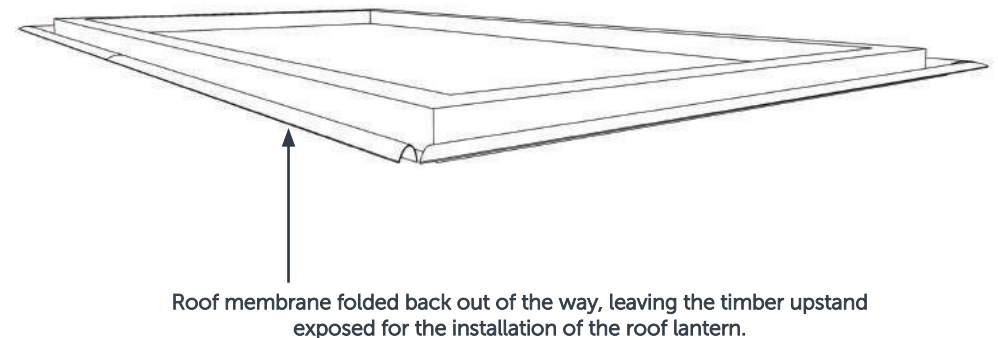
Measure diagonally from corner to corner both ways. If both dimensions match, your timber kerb should be square.

## STEP 2:

### PREPARE THE ROOF MEMBRANE

We recommend that you apply your roof membrane after installing your roof lantern, to avoid damaging or piercing it during the installation.

If you have added your roof membrane on top of your plywood deck already, please ensure that you leave enough excess material around the timber kerb to flash the roof lantern upstand. This can be folded back out of the way until your roof lantern is installed.



Roof membrane folded back out of the way, leaving the timber upstand exposed for the installation of the roof lantern.

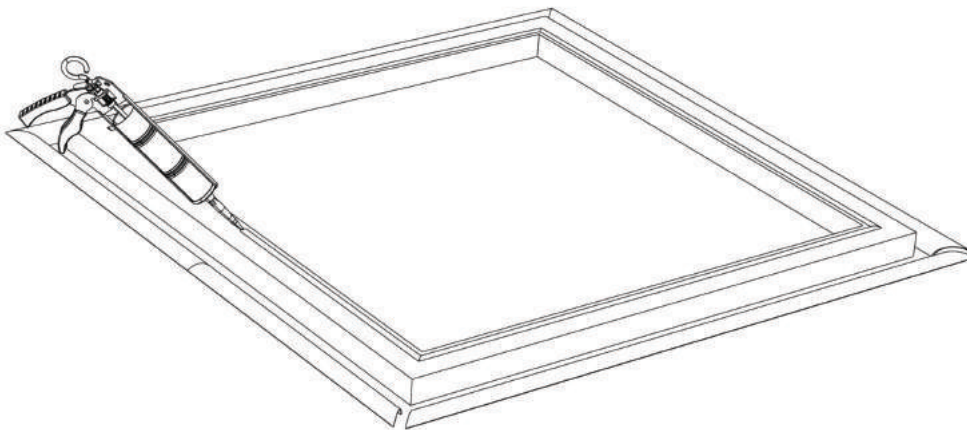
You are now ready to install your roof lantern.

## STEP 3:

### APPLY SILICONE TO THE TOP SURFACE OF THE TIMBER KERB

Apply a thick bead of silicone all the way around the timber kerb about 20mm from the internal edge. Only use a professional quality silicone adhesive sealant such as Dow Corning 791.

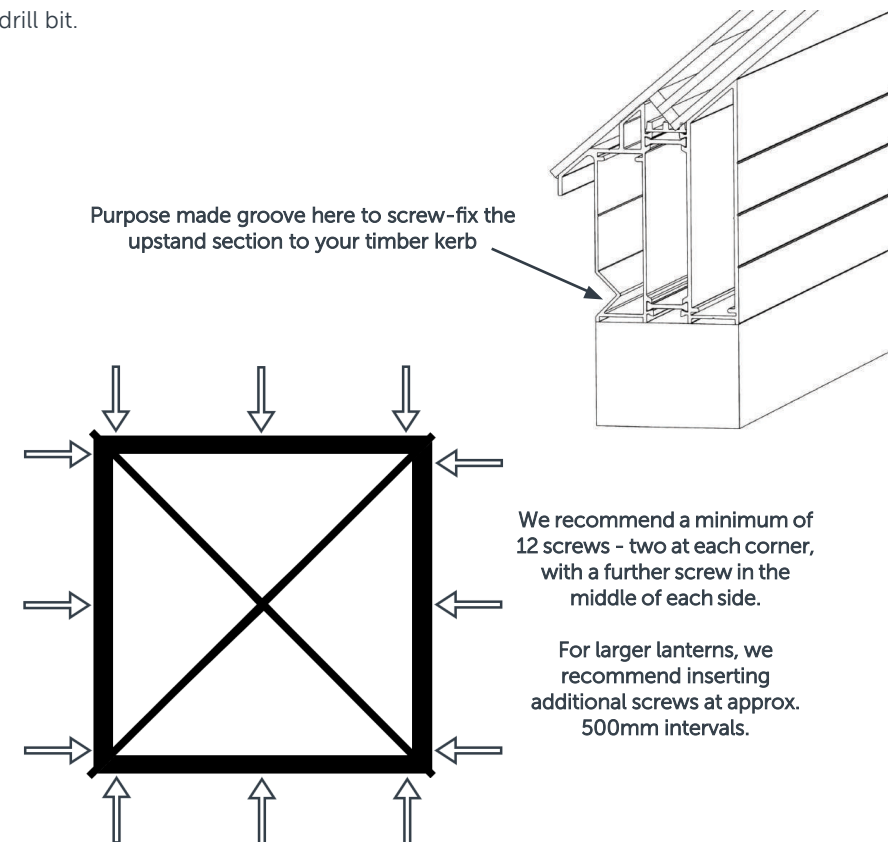
Following this, place the lantern on to the timber kerb and ensure it sits flush both externally and internally.



## STEP 4:

### SCREW FIX THE LANTERN TO THE TIMBER KERB

You now need to secure the upstand to the timber kerb by inserting screws into the purpose made groove that runs around the bottom of the frame externally, about 100mm from each corner, screwing through the upstand into the timber underneath. You will need to pre-drill your holes into the aluminium frame using a standard metal drill bit.

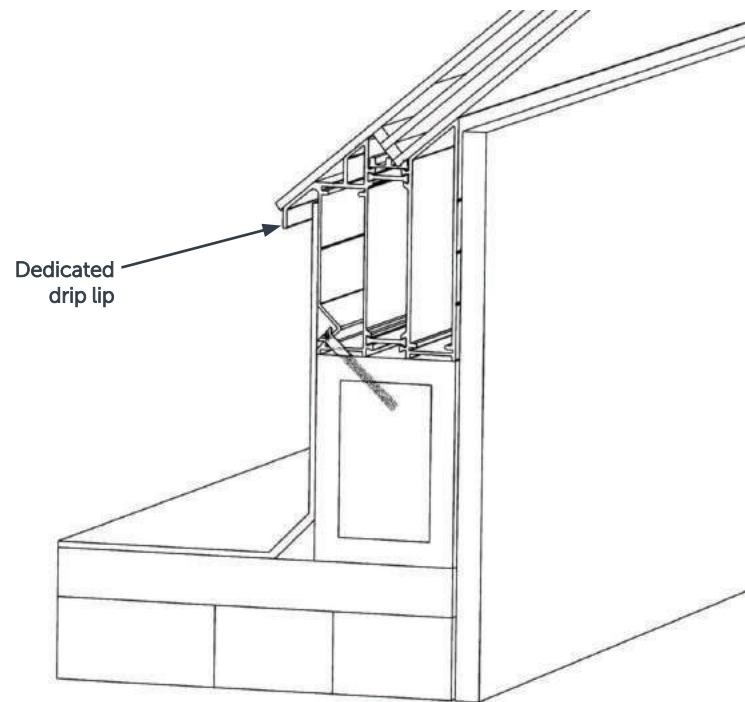


Now that your lantern is fixed to the timber kerb, you need to flash it in, which acts as the final stage of weatherproofing.

## STEP 5.1:

### FLASHING GUIDELINES (Sheet membrane)

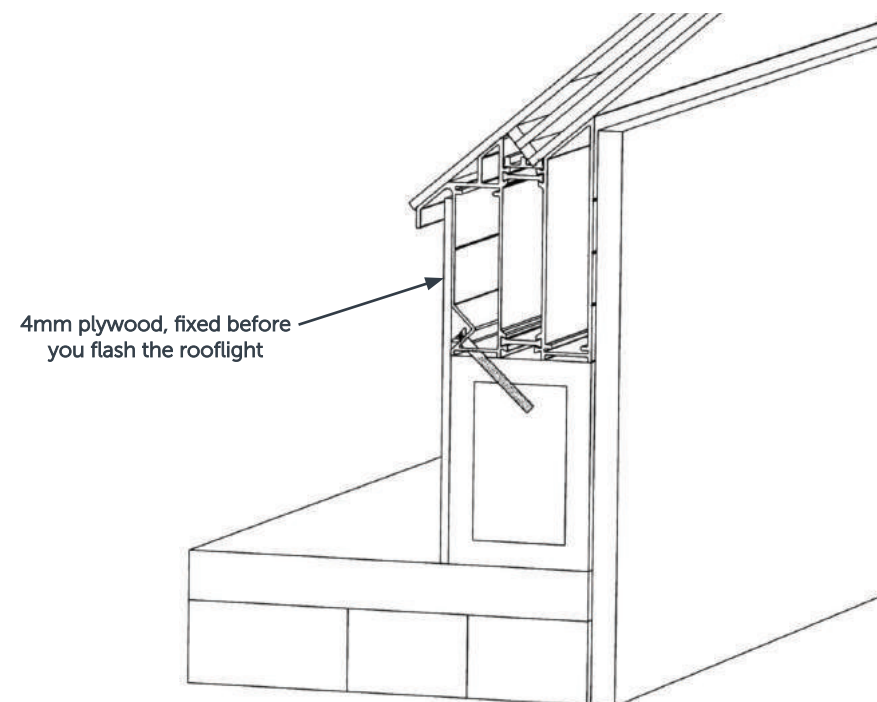
Ensure the roof membrane is tucked right under the dedicated drip lip that sits just under the glass. This is important as it acts as the final weathering stage to avoid water ingress in this area. Take a look at the diagram below which illustrates this detail. If using a torch on felt, we recommend that you cut your membrane to the correct size, fold back and pre-heat with your heat gun. Only then should you apply it to the side of the unit. This will prevent you from damaging the unit by applying heat directly.



## STEP 5.2:

### FLASHING GUIDELINES (GRP membrane)

If using GRP to finish the roof, you should silicone bond a 4mm plywood border around the upstand and kerb. Screw fix this into the timber kerb if you wish to make it more secure. This will provide a more suitable surface for the GRP to adhere to. Ensure that this goes right up underneath the drip lip as the below image shows. Also, ensure that the GRP layer is applied right up to and underneath the drip lip.



**Your roof lantern installation is now finished.**

For internal plaster finishing details please refer to the roof cross section fitting guide, located on page 7 of this guide.

## ROOF SECTION FITTING GUIDE

