

# ROOF MAKER

WORLD CLASS ROOFLIGHTS



PRODUCT SPECIFICATION AND INSTALLATION GUIDE

ACCESS OPENING FLAT ROOFLIGHT

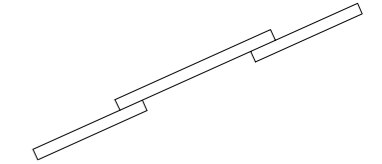
Minimum fall 5 (inc roof) to allow water to run off  
Maximum fall 15 (inc roof)

IF INCLUDING BLACKOUT BLINDS

When blinds are selected, plaster up to blind trim

Black out blind option

**Do not lift by glass**



Fix the unit to your timber upstand with screws provided. Screw at 45 deg as shown, refer to step by step installation guide

155mm

Maximum 70mm width timber upstand, guide minimum height of 30mm. Pre-weather the side face of your timber upstand finishing level with the top (as illustrated). Leave the top face of the timber upstand as exposed timber.

**IMPORTANT** do not exceed 70mm width to avoid compromising drip detail.

Stop Bead

Plaster Board

255mm

Apply a generous bead of silicone around the top of your upstand before lowering rooflight into place

Lift from here (dedicated drip overhang)

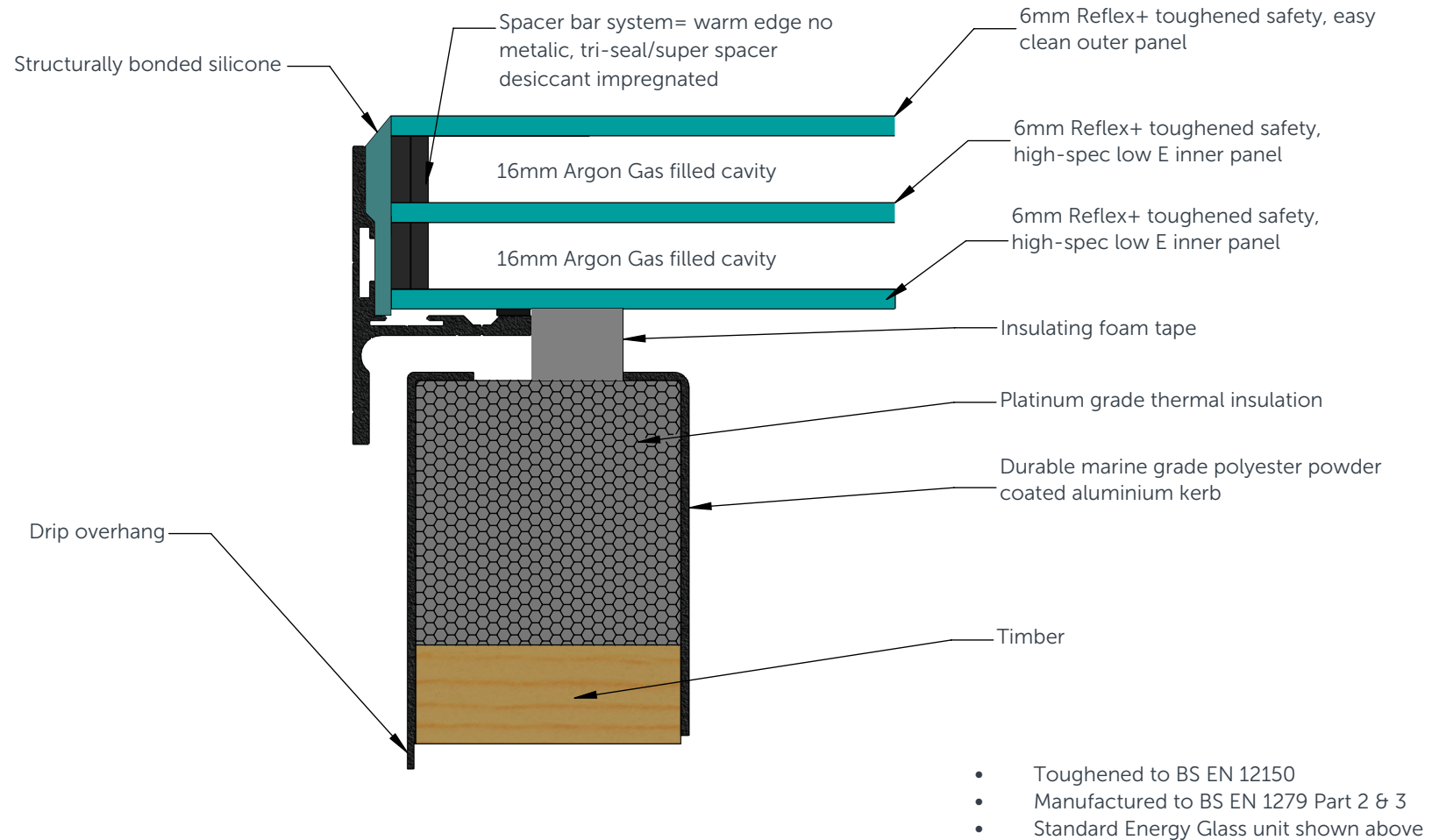
EPDM roof finish, for alternative finishes please refer to your step by step installation guide

Arris Rail (Recommended)

Plywood deck

Internal sizes taken from here (size ordered = size of timber structural opening)

## ACCESS OPENING FLAT ROOFLIGHT: STANDARD PRODUCT SPECIFICATION



## ACCESS OPENING FLAT ROOFLIGHT: INSTALLATION GUIDE

### ON DELIVERY OF YOUR NEW ACCESS OPENING FLAT ROOFLIGHT, IN ADDITION YOU WILL RECEIVE;

#### \*CONTROL, REMOTE

- Control switch combo unit (86x86x35mm)
- Remote control
- Long Screws for fixing the rooflight to the timber kerb

#### \*IF CONTROL SWITCH CONTROLLED...

- Control switch
- Long Screws for fixing the rooflight to the timber kerb

*\*All additional accessories and components will come with your rooflight delivery and be packaged in a cardboard box.*

### IN ADDITION TO YOUR NEW ACCESS OPENING FLAT ROOFLIGHT, YOU WILL NEED;

- Silicone Adhesive Sealant (high quality; Dow Corning 791 recommended)
- Drill, bits and screws as required
- Materials to prepare a timber kerb

### INSTALLATION GUIDE

Make sure to read through all steps and understand all requirements before beginning assembly. We also recommend that you study the 'cable location guide' which provides further guidance on how to run the rooflight cabling into the property as part of the installation. This is located at the end of this guide, alongside the wiring guide and a roof section diagram.

*Please take precaution when moving heavy objects and working at height. Be sure to use the correct equipment. Guide weights based on size, are shown on the chart to the right.*



GUIDE WEIGHTS	
Size (mm)	Weight (kg)
1000 x 1000	81
1500 x 1000	115
2000 x 1000	150

## STEP ONE

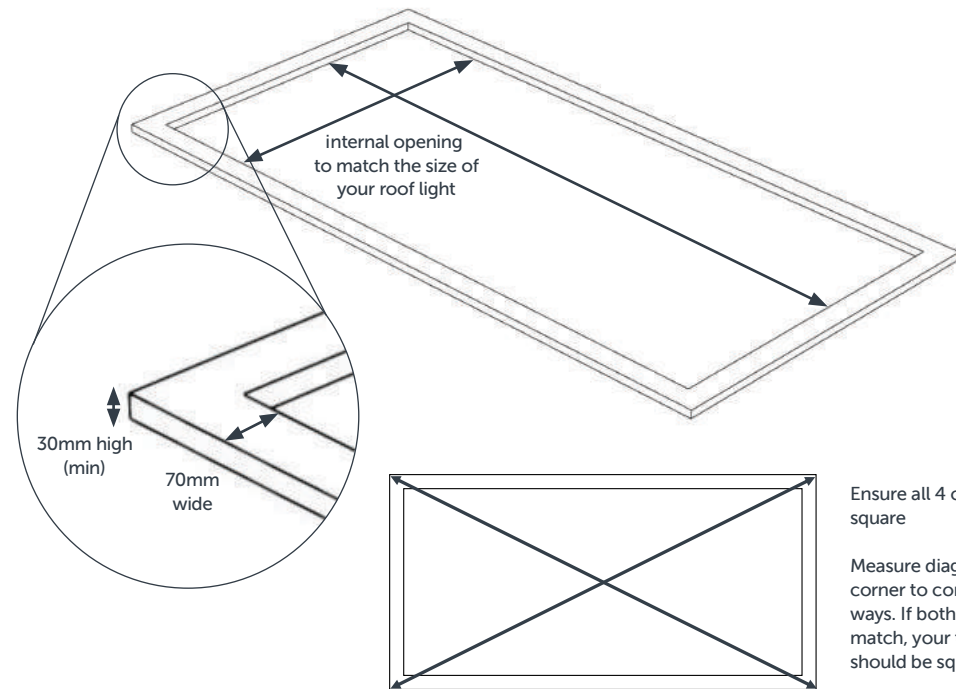
### PREPARE A TIMBER KERB FOR YOUR ROOFLIGHT

Prepare a 70mm width timber kerb for your rooflight. This should be a minimum of 30mm in height from the finished roof level (at the lowest side). The internal dimensions of your kerb should match the internal dimensions of the rooflight/size ordered.

i) Before you begin the installation of your new roof light, you will have installed the timber kerb. The size of the internal opening should reflect the exact size of the roof light you have ordered. For example, the roof opening should measure exactly 2m x 1m for a unit that measures 2m x 1m.

Your timber kerb should measure 70mm in width, to match the width of the built-in upstand that you are going to assemble. We recommend a minimum height of 30mm from roof level, but this can be increased if required.

The upstand should be perfectly level and we also recommend that you check the corners have a 90° angle, by measuring it diagonally from corner to corner before starting the assembly of the roof lantern.



# ROOF MAKER

WORLD CLASS ROOFLIGHTS

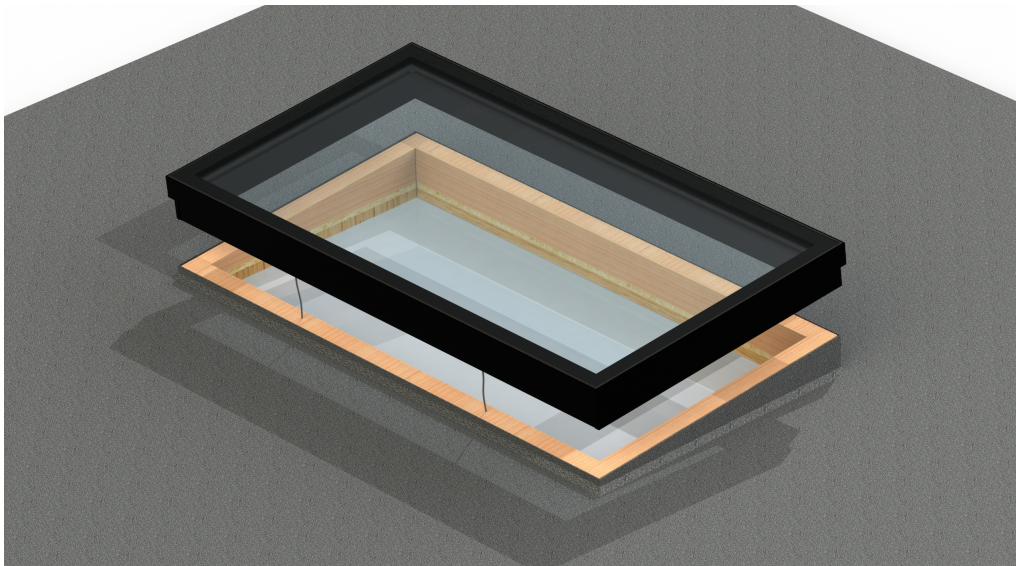
Call us: 0116 269 6297  
Mon-Fri 9-5pm

## STEP TWO

### CREATE HOLES/GROOVES IN THE TIMBER KERB TO RUN THE ROOFLIGHT CABLING INTO THE PROPERTY

Trial fit your rooflight and mark a suitable location to drill a hole/s or create notches for the rooflight's actuator cables - *Please refer to the cable location guide located on page 8 of this document, if you have opted for the remote controlled/rain sensor option. This gives advice as to where we recommend the control box can be located within the property.*

*You do not need to refer to this guide if you have a control switch controlled rooflight. For switch controlled rooflights, you will just be extending the actuator cable/s to your chosen location of the control switch in the room below.*

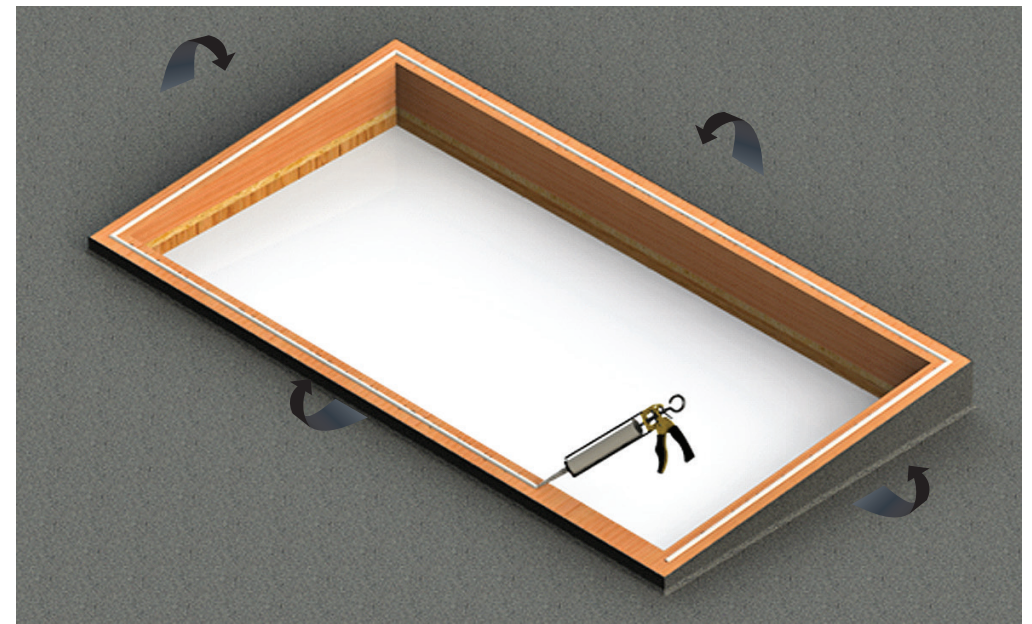


## STEP THREE

### APPLY SILICONE AROUND THE TOP FACE OF THE TIMBER KERB

Apply the flashing/roof membrane to the sides of the kerb (Leaving the top face as exposed timber) and apply a thick bead of silicone around the top face, closer to the outside edge of the kerb.

You can now place the rooflight onto the kerb and connect it to the power supply, ready to open the rooflight and fix it with the provided long screws. The wiring guides for both control switch and remote controlled variations, can be found at the end of this document.



# ROOF MAKER

WORLD CLASS ROOFLIGHTS

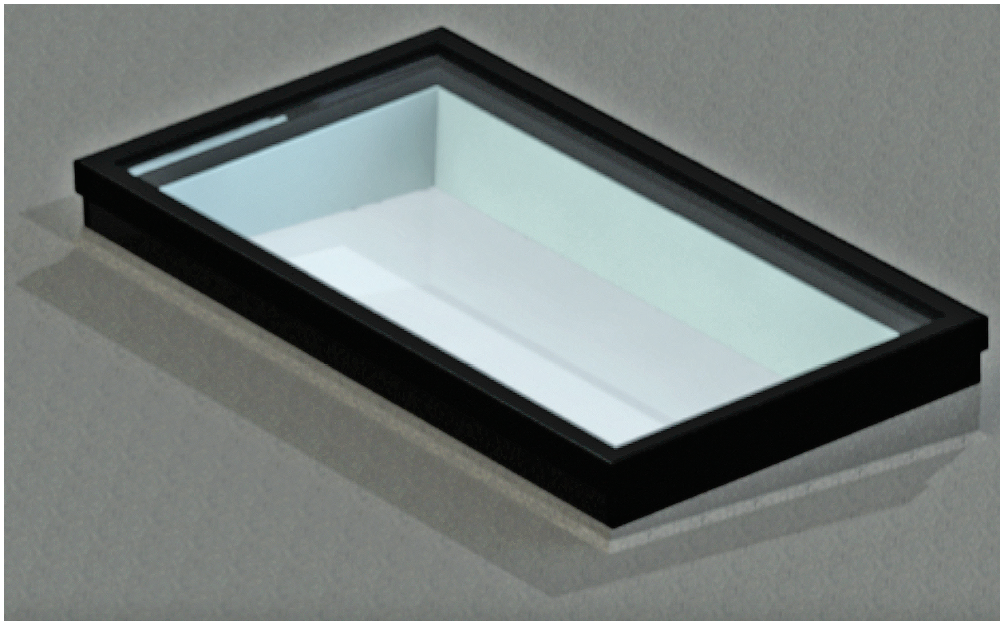
Call us: 0116 269 6297  
Mon-Fri 9-5pm

## STEP FOUR

### SCREW FIX THE ROOFLIGHT TO THE TIMBER KERB

Open the rooflight via the remote control/control switch and secure it to your kerb through the preformed holes in the top of the rooflight's base frame with the long screws\*. For plastering finish guidelines, please follow the roof section fitting guide, on page 7 of this document. **Your Hinged Opening Flat Rooflight is now fully installed.**

\*Wiring guides for both control switch controlled and remote controlled rooflights can be found on pages 8-10



## REMOTE CONTROLLED ROOFLIGHTS

---

The Open-Lite Access rooflight will be delivered with a dedicated black control module with input panel and remote for the push rod actuators.

