

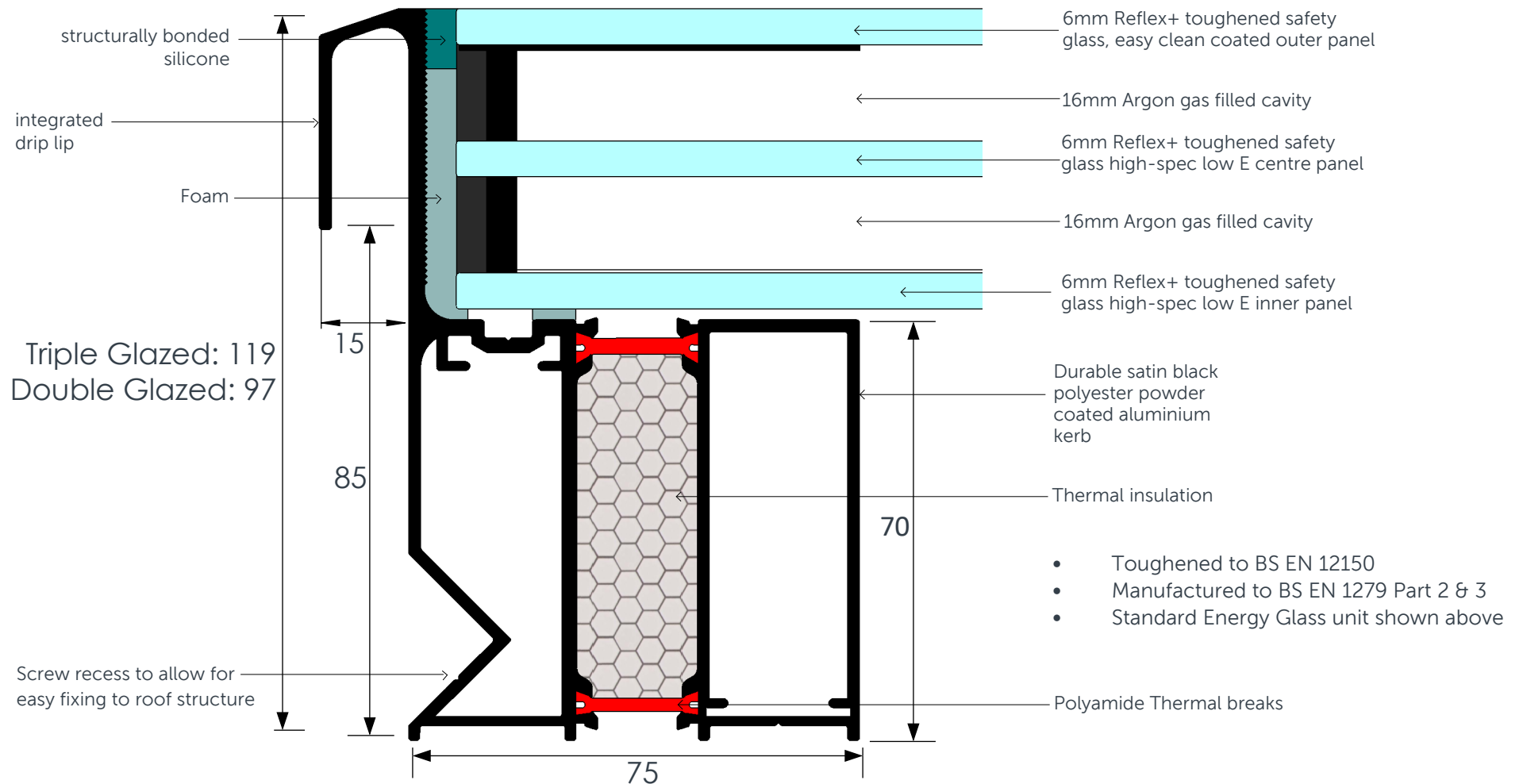
ROOF MAKER

WORLD CLASS ROOFLIGHTS



PRODUCT SPECIFICATION AND INSTALLATION GUIDE FLAT PACKED FIXED FLAT MODULAR ROOFLIGHT

STANDARD PRODUCT SPECIFICATION: FIXED FLAT MODULAR ROOFLIGHT



FIXED FLAT MODULAR ROOFLIGHT STEP-BY-STEP INSTALLATION GUIDE

THANK YOU FOR CHOOSING ROOF MAKER, WE HOPE YOU ARE DELIGHTED WITH YOUR NEW ROOFLIGHT.

This guide will take you through an easy-to-follow process to ensure you build and install your rooflight correctly, but if you do need advice or help, our technical support team are available to provide guidance.

GUIDE WEIGHTS AND GLASS PANE/GLAZING BAR CONFIGURATION FOR THE FLAT MODULAR ROOFLIGHT

The table opposite shows the overall weights for the most popular modular rooflight sizes. It also indicates the number of glazing splits along with the number of glass panels that the rooflight will be made from.

PLEASE NOTE: For rooflights that feature blackout blinds, there is a blackout blind wiring guide available which we can provide, or is available to download in the technical section on our website. This also outlines the additional components that you will receive, such as the remote control and power pack.

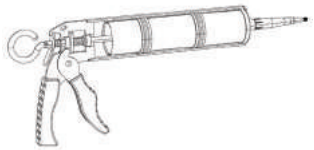
The maximum weight for a triple glazed panel of glass has been calculated at approximately 120kgs per panel. This does vary dependant on the size of the rooflight and we can advise on this when you make your enquiry. We recommend a team of 4 people for the safe installation of the rooflight, of which at least one person will be positioned on the inside of the rooflight to ensure safety when lowering the glass sections into position. For the assembly of the upstand and finishing of the rooflight, only 1-2 people are required.

| GUIDE WEIGHTS AND GLASS PANEL/GLAZING BAR CONFIGURATION | | | |
|---|---------------------------|------------------------|------------------------|
| Size (mm) | Triple glazed weight (kg) | Number of glass panels | Number of glazing bars |
| 3000 x 1500 | 304 | 3 | 2 |
| 3000 x 2000 | 395 | 5 | 4 |
| 4000 x 1000 | 282 | 2 | 1 |
| 4000 x 1500 | 396 | 4 | 3 |
| 4000 x 2000 | 513 | 7 | 6 |
| 5000 x 1000 | 345 | 3 | 2 |
| 5000 x 1500 | 488 | 4 | 3 |
| 5000 x 2000 | 637 | 8 | 7 |
| 6000 x 1000 | 412 | 3 | 2 |
| 6000 x 1500 | 580 | 5 | 4 |
| 6000 x 2000 | 755 | 10 | 9 |
| 7000 x 1000 | 475 | 4 | 3 |
| 7000 x 1500 | 672 | 6 | 5 |
| 7000 x 2000 | 879 | 11 | 10 |

PLEASE NOTE: The number of panes and split bars stated above, reflects what you would get if you have opted to receive a flat packed modular rooflight for self assembly. If Roof Maker was to carry out the installation, the number of panes and splits may increase in some cases. If you do opt for Roof Maker to carry out the installation, we can advise on this.

WHAT DO I NEED TO CONSTRUCT MY ROOFLIGHT?

IN ADDITION TO YOUR FLAT MODULAR ROOFLIGHT KIT, YOU WILL NEED:



Silicone adhesive sealant (recommended Dow Corning 791 or similar)- Required for the fixation of your upstand to the prepared timber kerb. **Silicone required when glazing the unit will still be provided as part of your kit.**



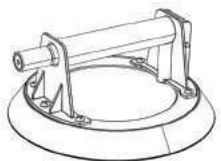
Drill with HSS drill bit – To pre-drill the aluminium upstand to form holes for your timber screws when fixing to your timber kerb.



Posi drive drill bit – For fixing of screws throughout the assembly.



Glazing packers in multiple sizes – For the accurate positioning of your glass panels throughout the installation.



Handheld glass suction pads – A minimum of 2 double pads or 4 single pads, capable of lifting the weight of the individual glazing panels (*varies dependant on size- we can advise*). This will help when positioning the glass panels.



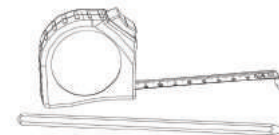
Timber screws – Measuring at least 50mm in length. Required for the fixation of the upstand to your prepared timber kerb.



Masking tape – Optional. To protect the frame and glass from being soiled with sealant whilst finishing the unit



Silicone sealant smoothing tool – To ensure a smooth neat finish when sealing in the glazing panels and finishing.



Tape measure and pencil



Stanley knife

Damp cloth – To wipe off any excess silicone as required.

COMPONENT CHECKLIST









The image opposite shows the component checklist that you will receive as part of your flat packed kit. This will be attached to the box that you receive which contains most of your components. Not all of the components listed will be applicable to your chosen specification. Your exact inventory will be outlined along with quantities as part of the list. This also includes imagery to help you locate and familiarise yourself with the various components of the rooflight.

ROOF MAKER
WORLD CLASS ROOFLIGHTS

Page 1 of 1

| FLAT MODULAR ROOFLIGHT COMPONENT CHECKLIST | | | |
|--|--|--|--|
| JOB REF & NAME | | | |
| FRAME COLOUR | | | |
| NUMBER OF GLASS PANES | | | |
| SIZE | | | |
| PACKED BY (print name) | | | |
| CHECKED BY (print name) | | | |

COMPONENT LIST

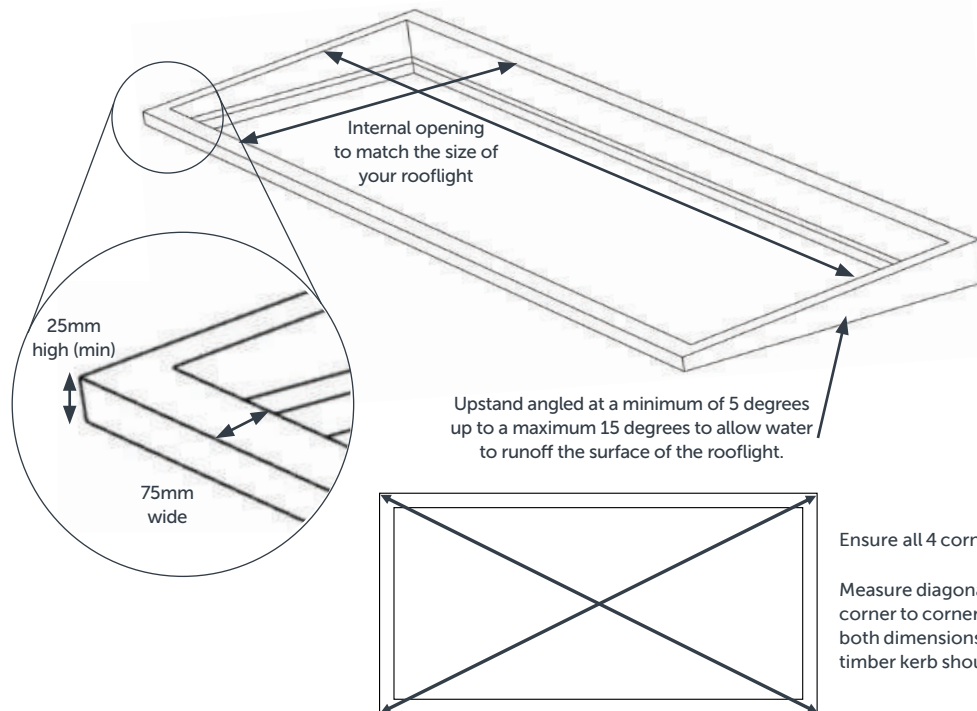
| IMAGE | COMPONENT | QTY | TICK |
|---|--|-----|------|
|  | Aluminium upstand section (in lengths) | | |
|  | Corner cleat | | |
|  | Straight cleat | | |
|  | Self drilling screws | | |
|  | Stainless steel glazing split bars (T-BARS) (glazing tape applied) | | |
|  | Self adhesive foam edging | | |
|  | Insulation foam | | |
|  | Sealant tube | | |

STEP 1 - THE TIMBER KERB

i) Before you begin the construction of your new rooflight, you will have installed the Timber Kerb. The actual size of the aperture in the kerb, should reflect the size of the rooflight you have ordered- so for example, the roof aperture measures exactly 4m x 2m for a unit measuring 4m x 2m.

Your Timber Kerb should measure 75mm in width, to match the width of the built-in upstand that you are going to assemble. We recommend a minimum height of 25mm from roof level, which can be increased if required.

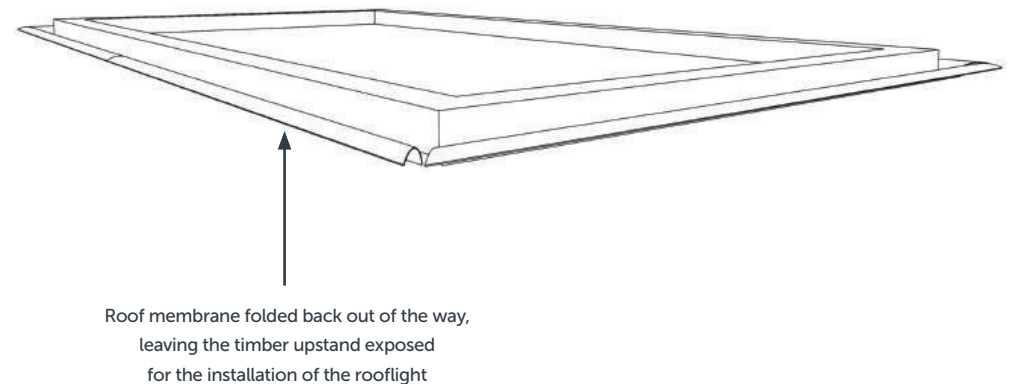
You will also need to ensure that the upstand is pitched at a minimum of 5° (up to a maximum of 15°), that we advise runs the width of the upstand, as illustrated below. This will allow for water runoff. If your roof is already pitched at 5 degrees, you will not need to build an angled upstand. Lastly, measure diagonally from corner to corner to ensure the kerb is perfectly square before fully fixing to the roof.



STEP 2 - ROOF MEMBRANE

i) We recommend that you apply your roof membrane after installing your rooflight, to avoid damaging or piercing it during the installation.

If you have added your roof membrane on top of your plywood deck already, please ensure that you leave enough excess material around the timber kerb to flash the rooflight upstand. This can be folded back out of the way until your rooflight is installed.



You are now ready to begin the construction of your new flat modular rooflight.

A MINIMUM FALL OF 5 DEGREES MUST BE CREATED WITH THE UPSTAND FOR THE MODULAR ROOF TO SIT ON IN ORDER TO NOT VOID THE 20 YEAR UNIT SEAL WARRANTY

Ensure all 4 corners are square

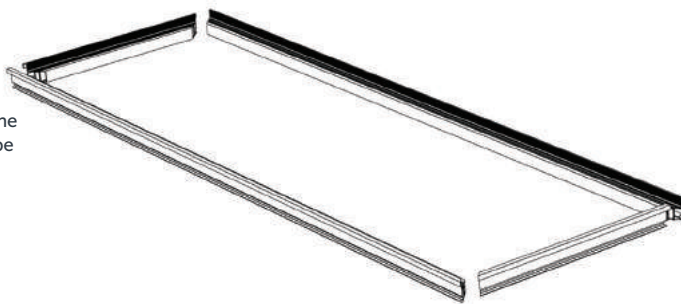
Measure diagonally from corner to corner both ways. If both dimensions match, your timber kerb should be square.

STEP 3 - UPSTAND ASSEMBLY

i) Start your installation by laying out the lengths of upstand that you have and arrange them as close as possible to where they will be positioned, laying them the correct way up.

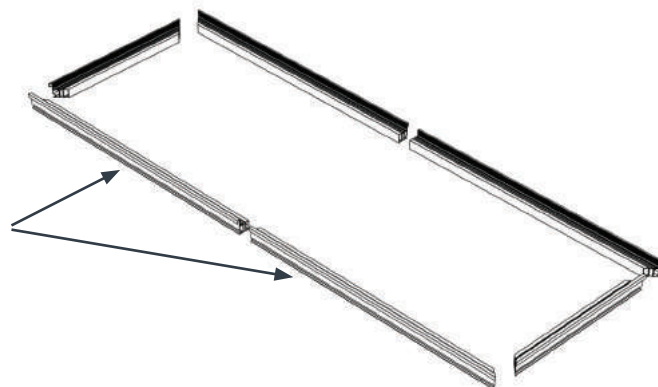
If your rooflight is less than 3300mm in length, the upstand will come in 4 sections, so you will just have to join the frame in the mitred corners.

Sections of profile that run both the length and width of the unit will be mitred at both ends

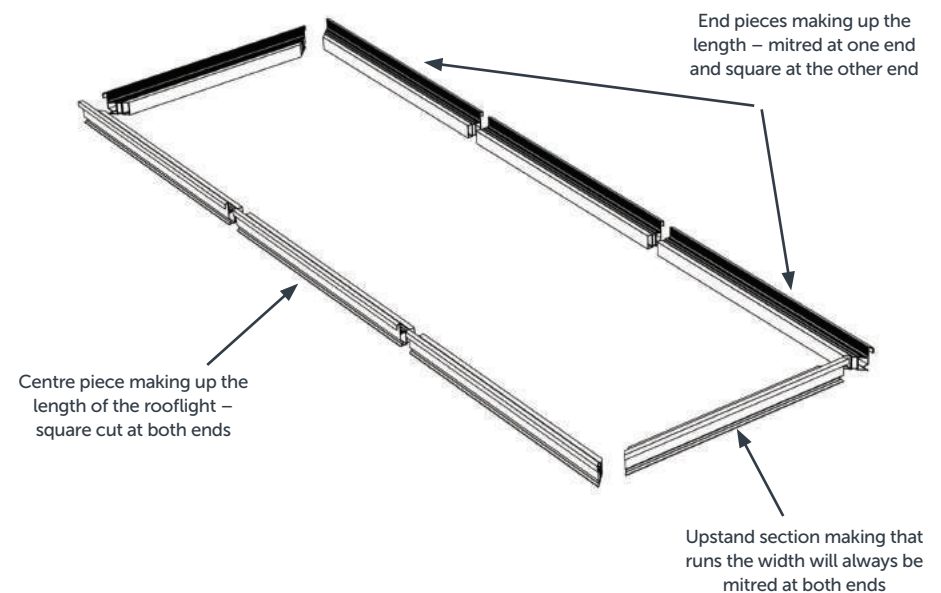


If your rooflight measures between 3300mm up to 6800mm, the width of the unit will be made up of 1 section of upstand (2 in total), mitred at both ends. There will be 2 sections of upstand that make up the length both sides, so you will have 6 sections in total. The sections that make up the length will be mitred at one end and square at the other end.

Sections of profile that run the length of the unit will be mitred at one end and square at the other



If your rooflight measures between 6800mm up to 10300mm, the width of the unit will be made up of 1 section of upstand, mitred at both ends. There will be 3 sections of upstand that make up the length both sides, so you will have 8 sections in total. 2 of the sections that make up the length will be mitred at one end and square at the other end. One will also be square at both ends which will be the middle section running the length of the rooflight.

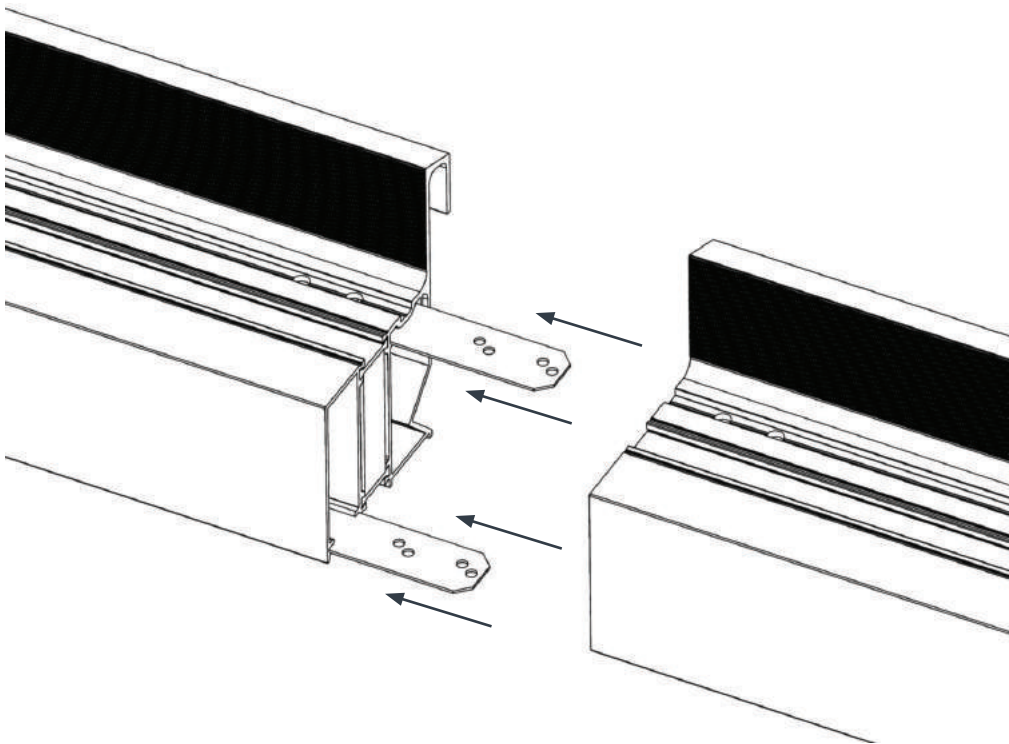


You are now ready to join your upstand sections together.

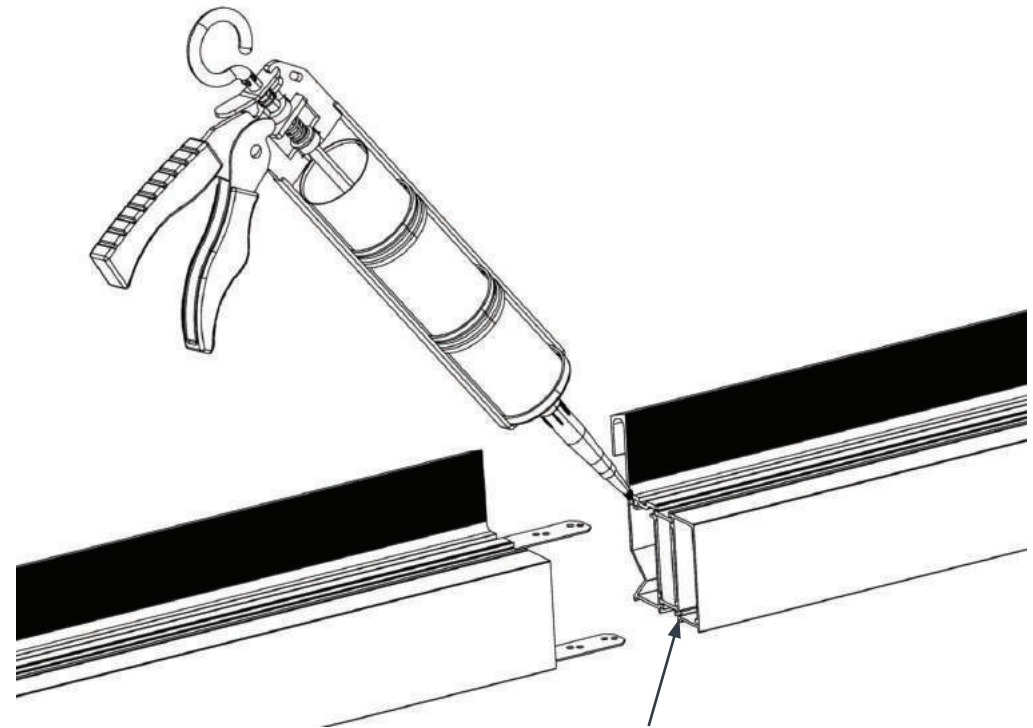
STEP 4 – UPSTAND ASSEMBLY

For units measuring 3300mm or more in length. If the length of your rooflight is less than 3300mm, proceed to step 6.

i) Start by taking the straight cleats provided and join, end on end, the sections of upstand that make up the length of your rooflight on both sides. Do this by slotting the cleats into the frame as shown below.



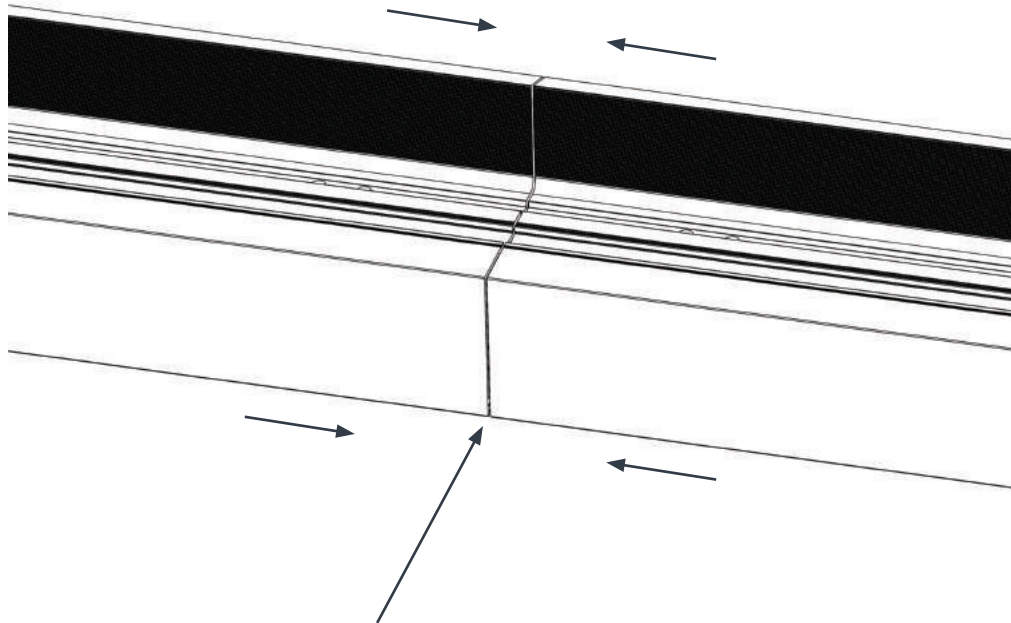
ii) Once you have slotted the straight cleats into one of the sections, prepare the corresponding piece of frame by adding silicone to the edges of the frame that will come into contact with the corresponding section. Just a small amount of silicone is required here.



Ensure that all exposed edges of the aluminium profile receive some silicone before you slot it into the corresponding piece

STEP 4 - UPSTAND ASSEMBLY CONTINUED

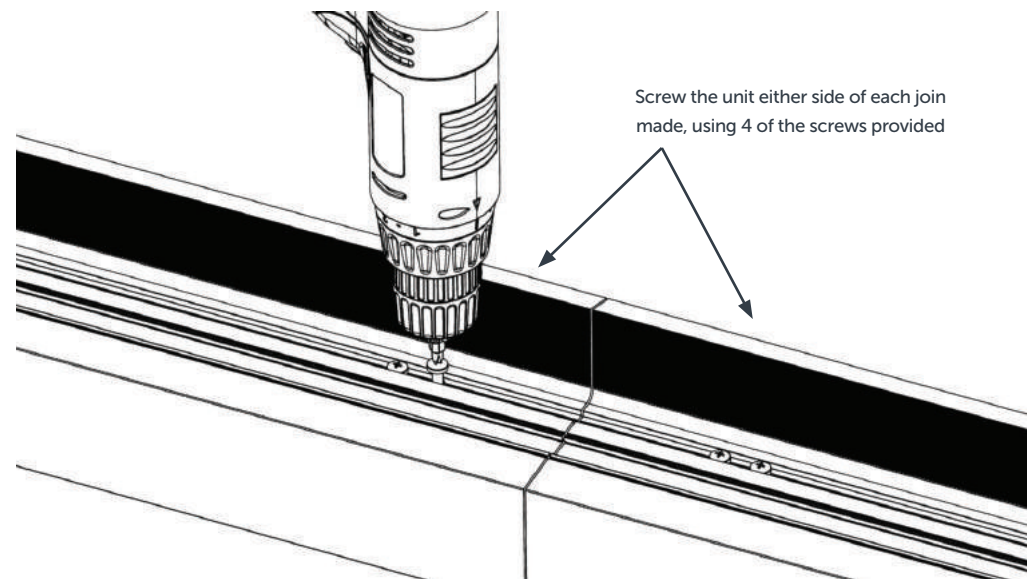
- iii) Once you have applied silicone to one of the pieces of frame, slot them both together as shown.



As you push the frame together there will be some excess silicone pushed out from where the 2 sections of upstand meet.

STEP 5 - UPSTAND ASSEMBLY

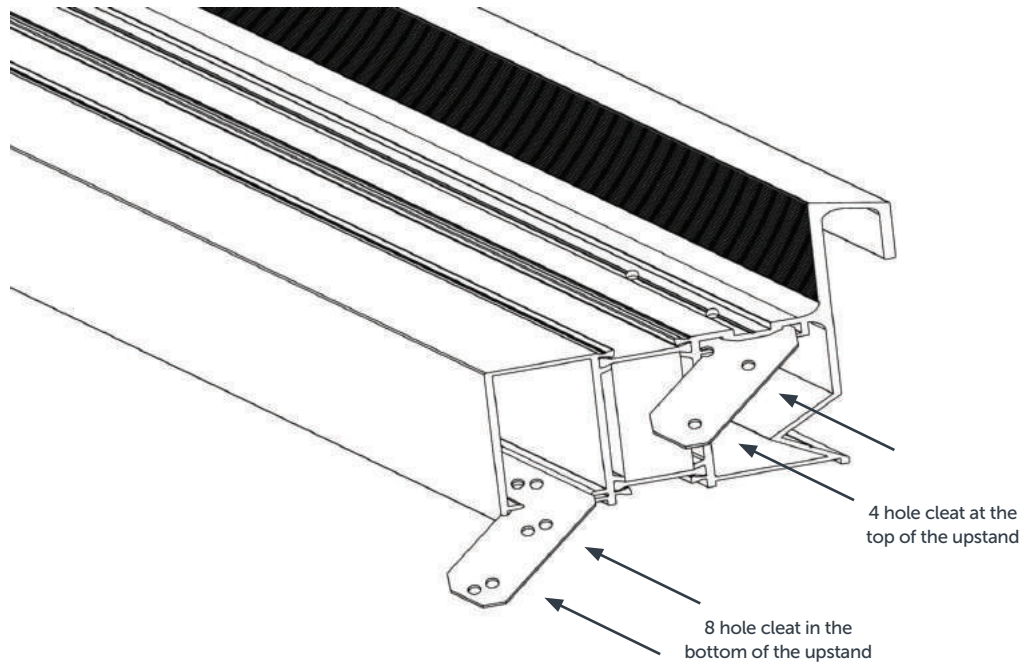
- i) There are 2 preformed holes either side of where the sections join in the top of the upstand (4 in total). For each section you join, put 4 screws into the preformed holes to stop the frame falling apart as you continue to join sections elsewhere. Repeat this until all of the sections making up the length of the unit are joined. Wipe away any excess silicone that has been pushed out of the joins with a damp cloth.



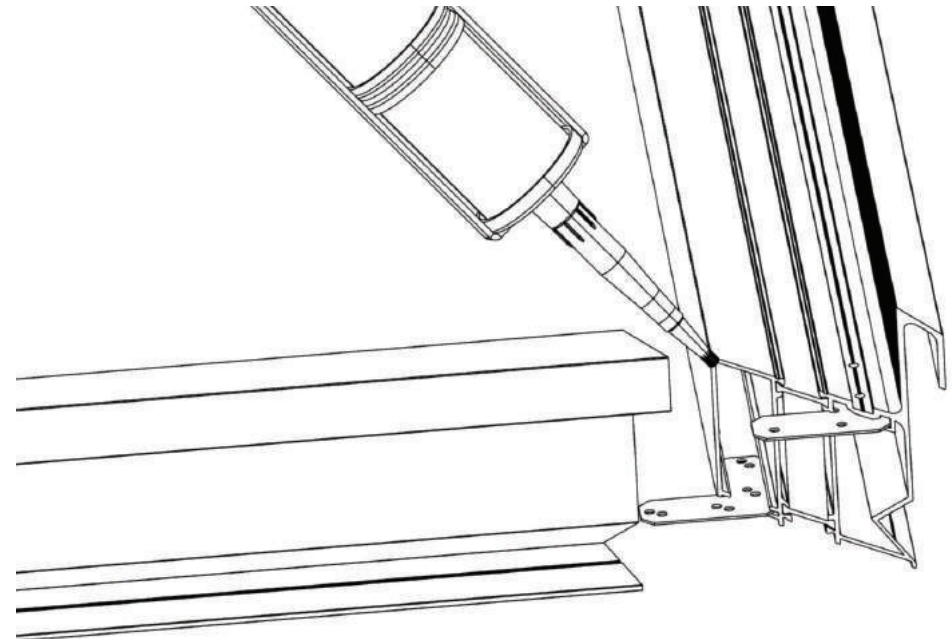
You are now ready to join the corners of the rooflight upstand.

STEP 6 - UPSTAND ASSEMBLY

i) Using the part of the upstand that makes up the width of the rooflight, take 2 of the corner cleats and insert them into one of the mitred corners as shown. Please be aware, the cleat with 4 holes will be located at the top section of the upstand and the cleat with 8 holes will be located in the bottom section of the upstand, as shown below.

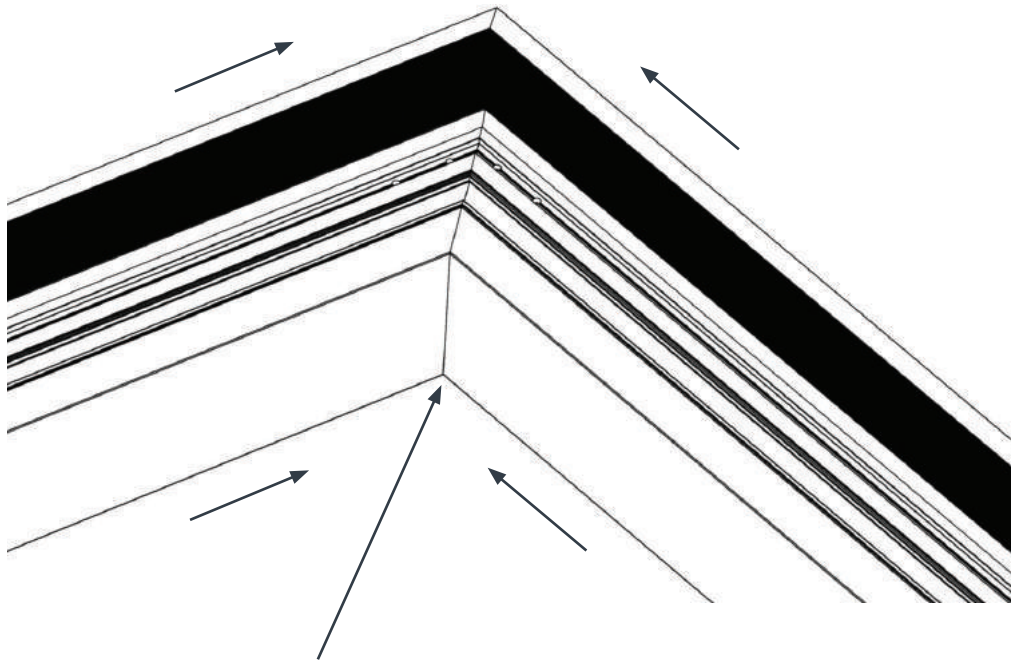


ii) Next, apply silicone to all edges that will come into contact with each other when the unit is slotted together with its corresponding piece of frame. Only a small amount of silicone is required.



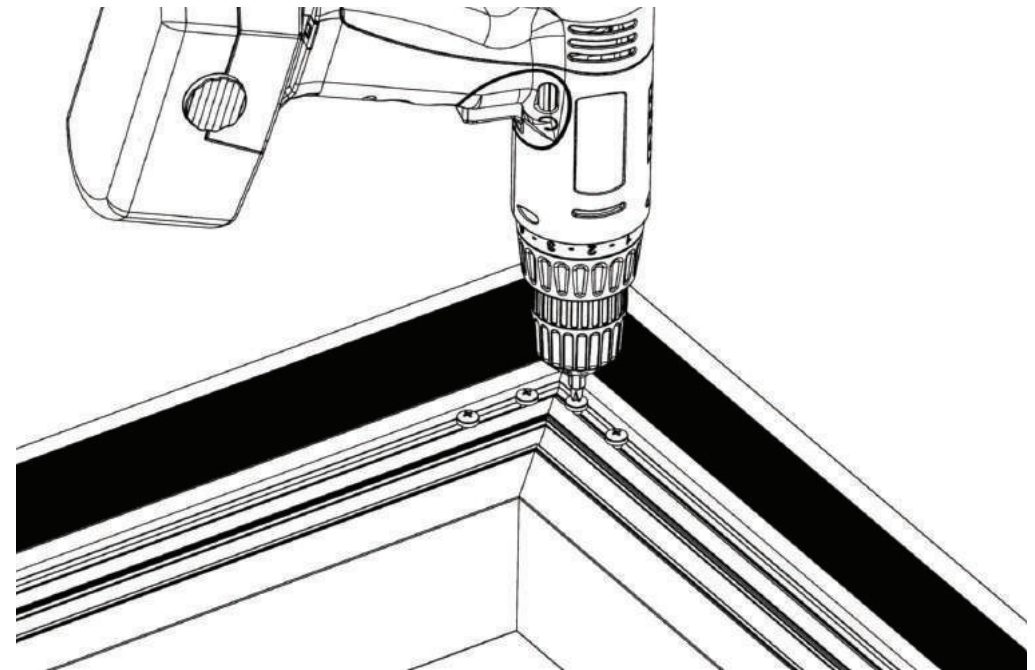
STEP 7 - UPSTAND ASSEMBLY

i) When the sealant has been applied, slot the 2 pieces of frame together.



As you push the frame together there will be some excess silicone pushed out from where the 2 sections of upstand meet.

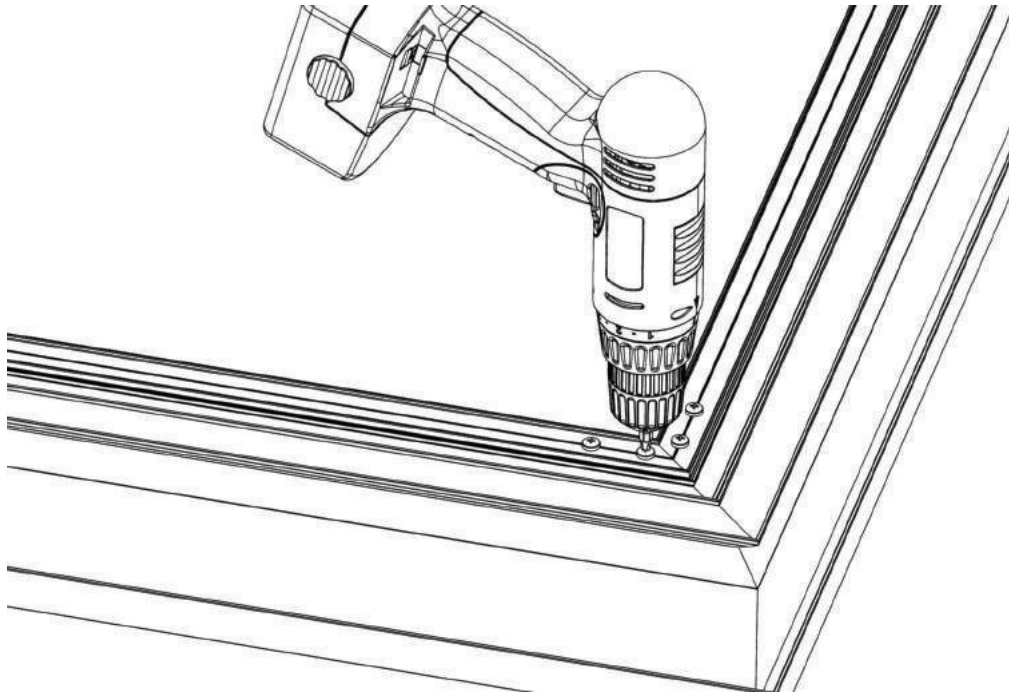
ii) Fix the corners by inserting screws into the 4 preformed holes on the top side of the upstand and when fixed, wipe away any excess silicone that has been pushed out of the joint with a damp cloth.



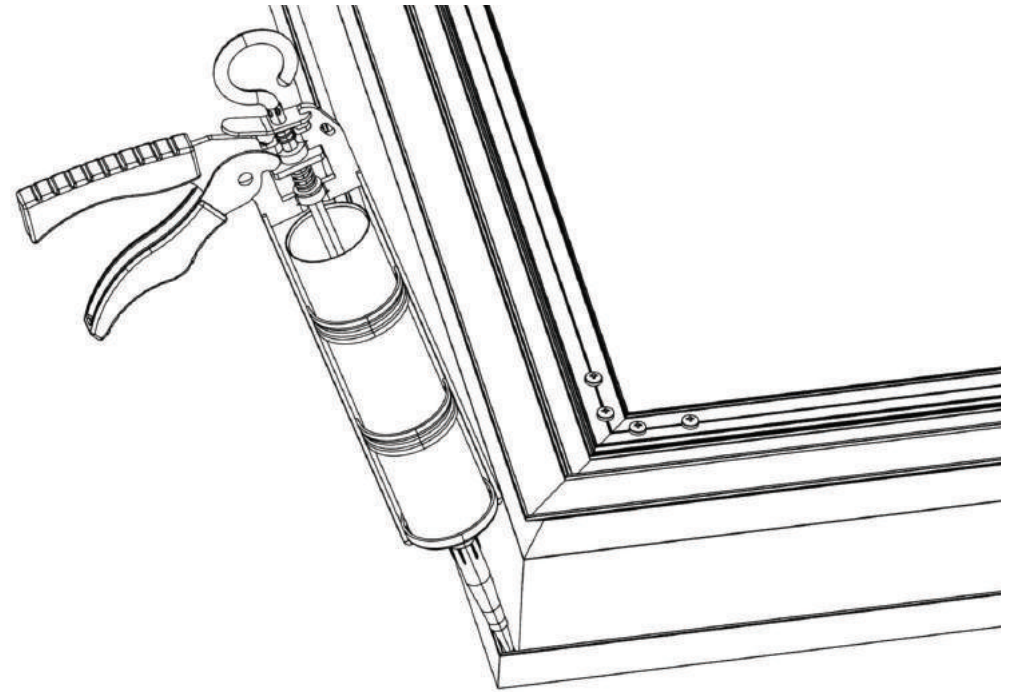
Repeat this at all 4 corners.

STEP 8 - UPSTAND ASSEMBLY

i) When all of the sections are joined and screw fixed through the top side of the upstand, carefully turn the upstand over so the underside is facing upwards and screw fix through the 4 preformed holes, located at each join with the provided screws. This will be at each corner and where there are joins along the length of the rooflight if applicable.

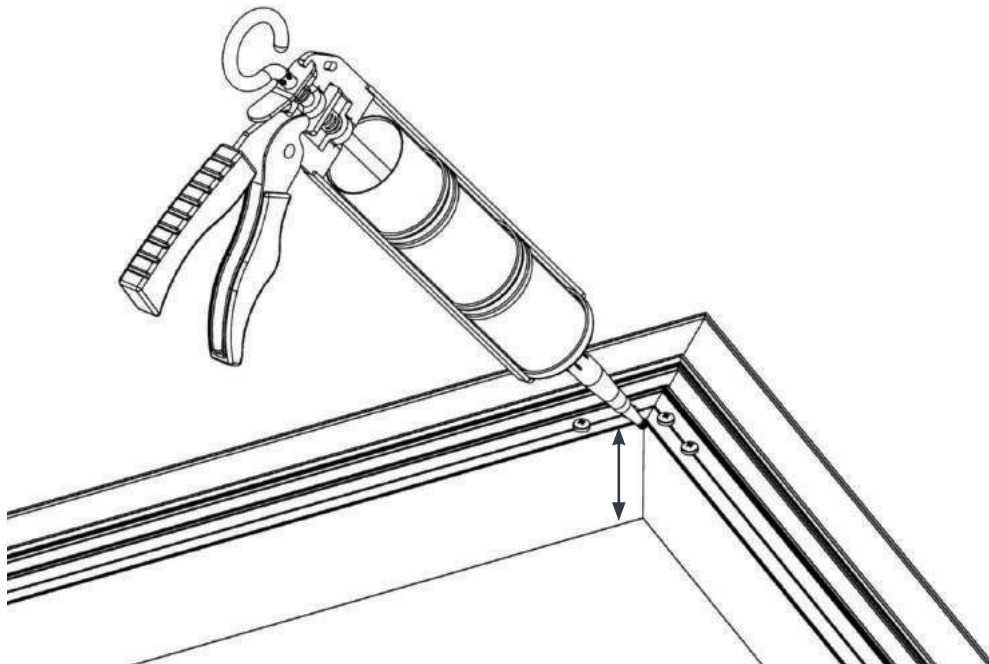


ii) Whilst the unit is positioned upside down, put a spot of silicone into the drip lip at all points where the sections of upstand meet, sealing the join. Again, this will be needed at all 4 corners and where there are joins along the length of the rooflight if applicable.



STEP 8 - UPSTAND ASSEMBLY – CONTINUED

- iii) Put a bead of silicone where your mitred corners meet, along the inside angle of the join.
Wipe away any excess silicone with a damp cloth. **Repeat for all 4 corners.**

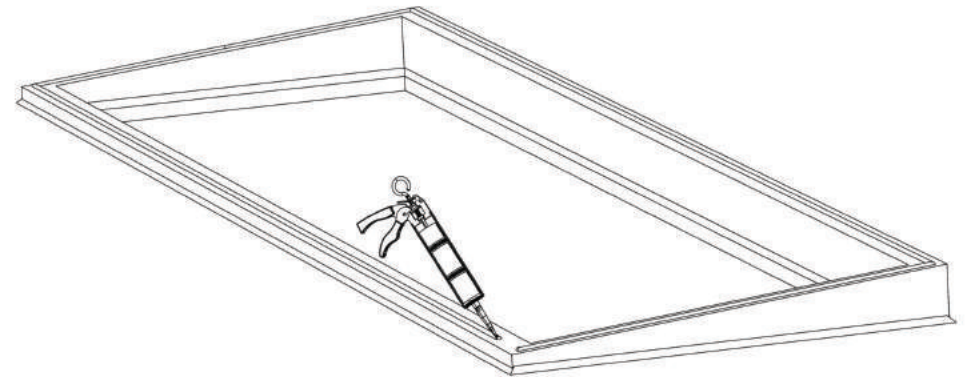


- iv) Turn the upstand over carefully to its correct position.

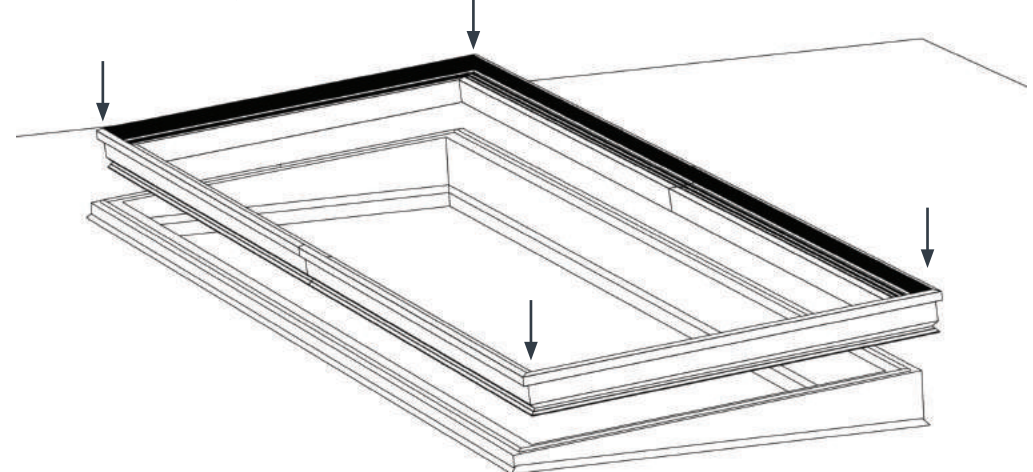
You are now ready to fix the assembled upstand to your timber kerb.
Move the upstand to one side, ready to add silicone to the timber kerb.

STEP 9 - FIXING THE UPSTAND TO THE TIMBER KERB

- i) Apply a thick bead of silicone all the way around the prepared timber kerb about 20mm from the outside edge on all 4 sides. Only use a professional quality silicone adhesive sealant such as Dow Corning 791.

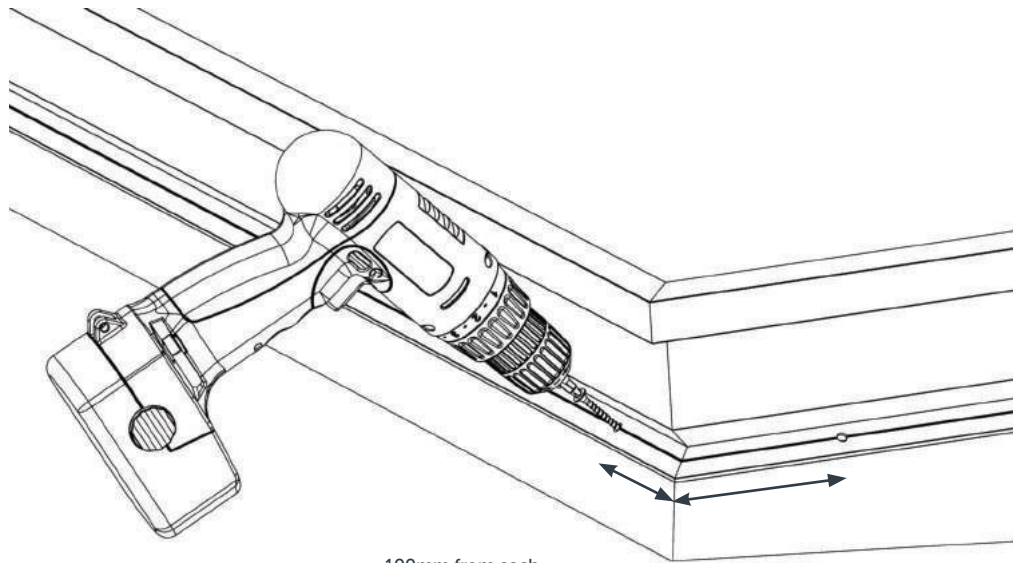


- ii) Then carefully place the assembled upstand on to the bed of silicone, ensuring it sits flush with the inner and outer edge of the timber kerb.



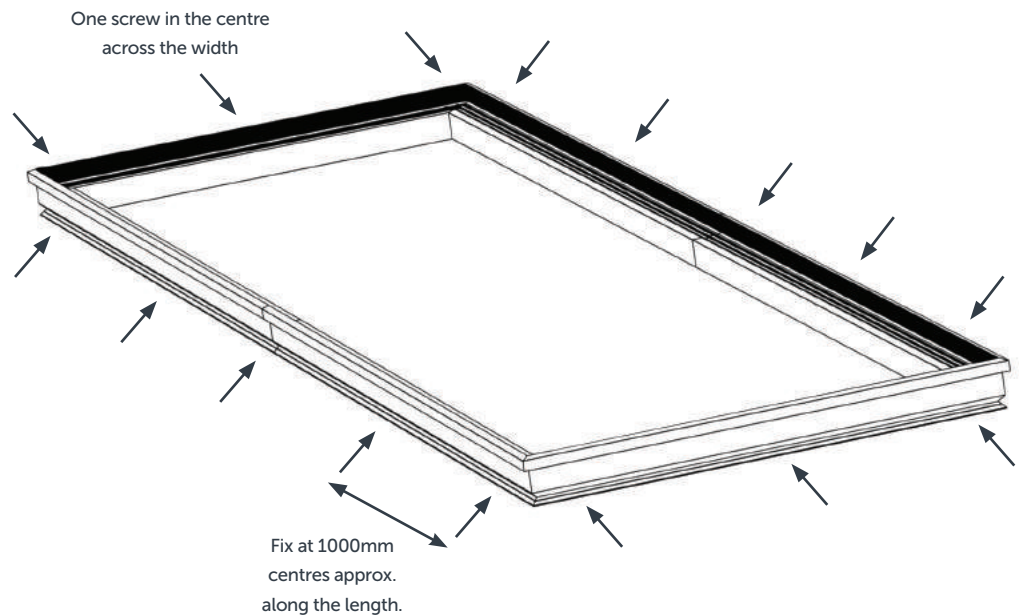
STEP 10 - FIXING THE UPSTAND TO THE TIMBER KERB

i) You now need to secure the upstand to the timber kerb, and you do this by inserting screws into the purpose made groove as shown, about 100mm from each corner, and screwing through the upstand into the timber underneath. You will need to predrill your holes into the aluminium frame using a standard metal drill bit.



100mm from each corner approx.

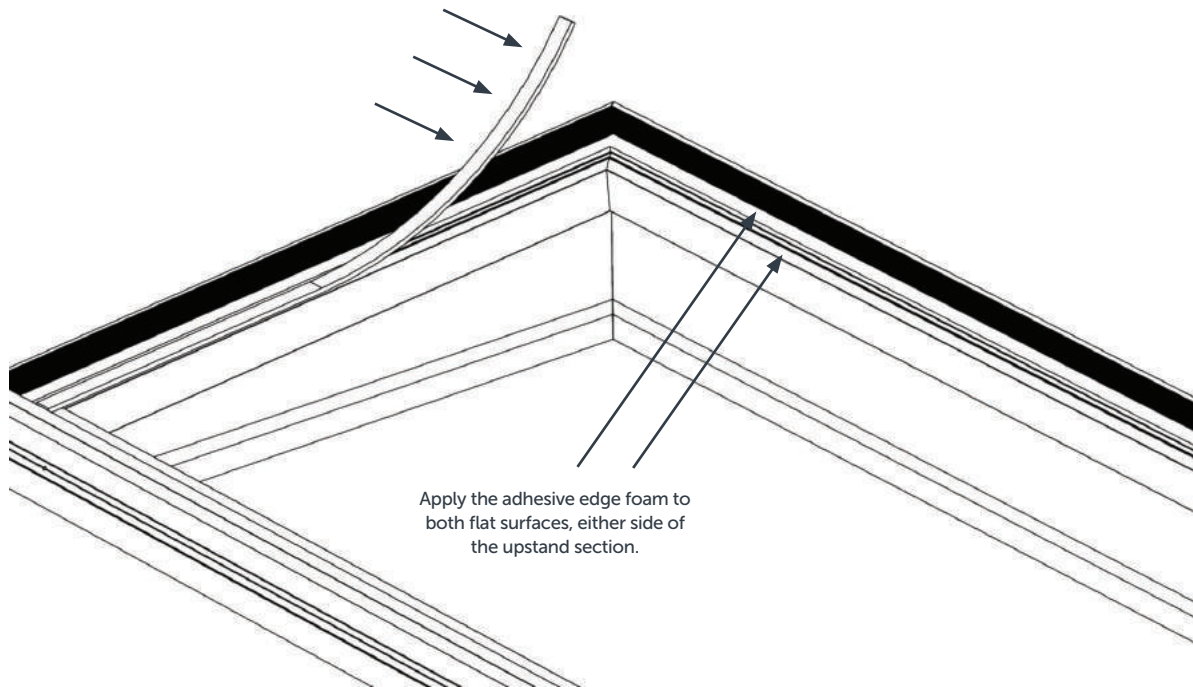
We recommend that as well as the screws used to secure the corners, you fix across the width of the rooflight in the centre, and at roughly every 1000mm along the length of the rooflight.



Fix at 1000mm centres approx. along the length.

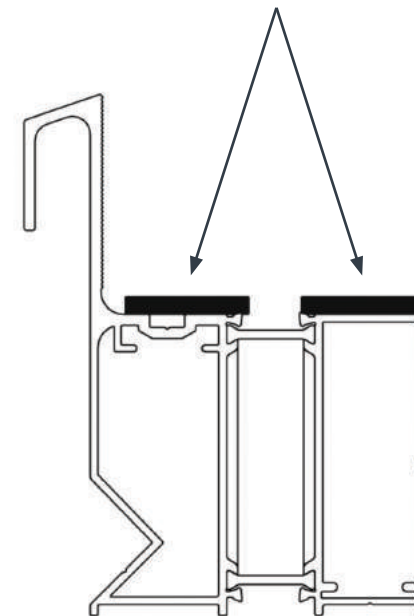
STEP 11 - PREPARING YOUR UPSTAND FOR GLAZING

- i) Take the roll of sticky back foam edging provided and apply it to both flat surfaces, on both sides of the upstand as shown, applying it on all 4 sides of the rooflight upstand with no gaps. This will be where the glass panels sit later on in the build.



Section view

The below image shows where the foam needs to be applied onto the sections of upstand, on all 4 sides of the rooflight.



STEP 12 - WORKING OUT WHERE YOUR GLASS PANELS WILL BE POSITIONED

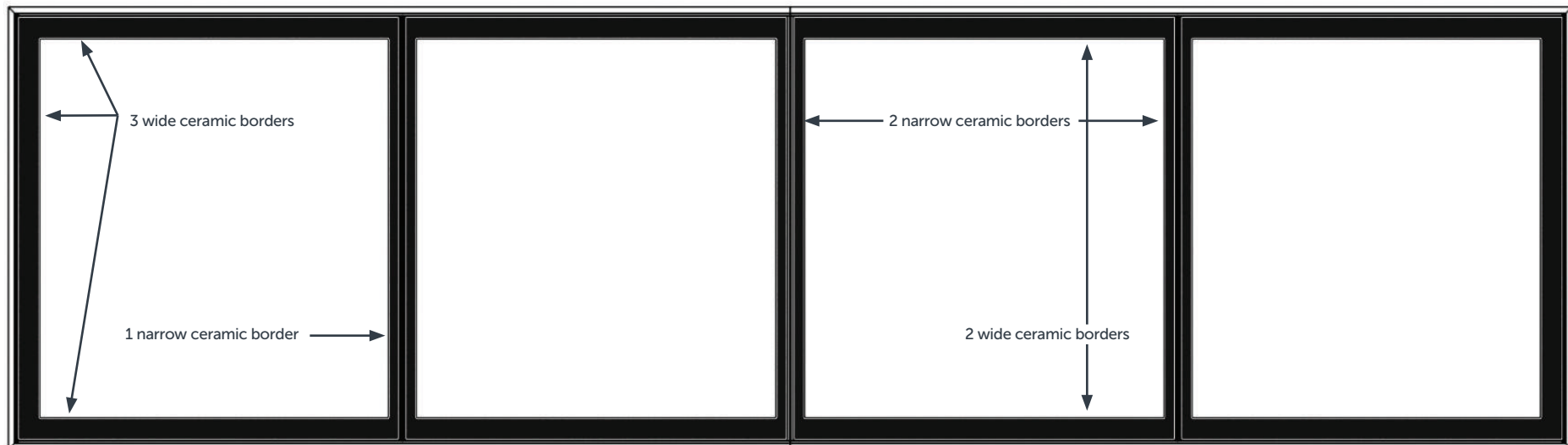
i) The glass panels have been calculated to sit 15mm apart from both the upstand frame on all 4 sides and between each panel where they meet at the T-bars. All glass panels will be made to an equal size, however, the ceramic borders painted onto the glass will determine where they are positioned on the rooflight. The below illustration shows this and also shows where they will be located.

End panes of glass

- 3 wide ceramic edges
- 1 narrow ceramic border

Central panes of glass

- 2 wide ceramic borders
- 2 narrow ceramic borders

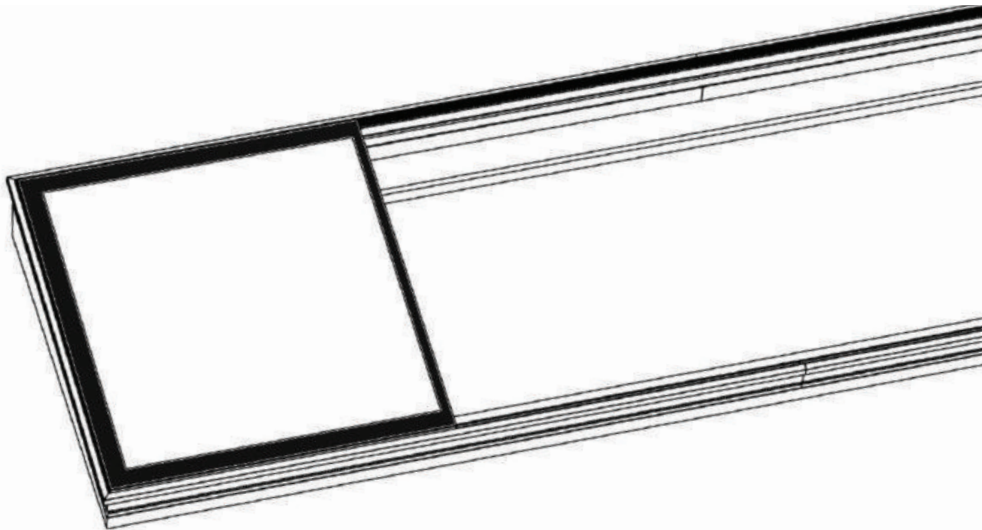


STEP 13 - PLACING YOUR FIRST GLASS PANEL

Now you have determined where your glass will be positioned, you also need to be aware that the ceramic border is applied to the outer panes of glass, so it will need to be positioned on the outside or 'upside' when you are placing the glass units.

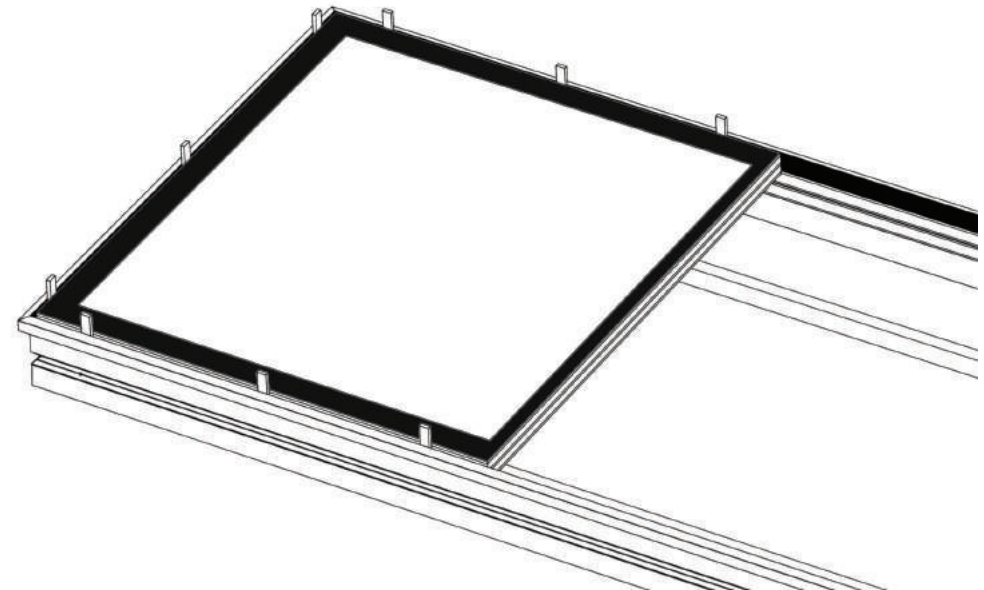
PLEASE NOTE: When quad glazed ultimate glass has been specified, the painted ceramic border will be applied to the inner pane of glass. When glazing in this scenario, ensure that the painted border on the glass is positioned on the inside when placing the panels into the frame.

- i) Take the first panel of glass which should have 3 wide ceramic edges and one narrow border. Position the glass into the unit upstand, with the wide ceramic edges sitting on the 3 sides of upstand.



STEP 14 - PLACING YOUR FIRST GLASS PANEL

- i) Use the glazing packers to make sure that the glass unit is 15mm away from the side of the upstand that runs the width of the rooflight (keep these in place throughout the build). Use your suction pads to assist with the repositioning of the glass. There should also be enough space to achieve a 15mm gap on either side of the glass, where it sits between the 2 long sections of upstand. If this cannot be achieved, ensure that the gaps you leave are equal on both sides of the glass.

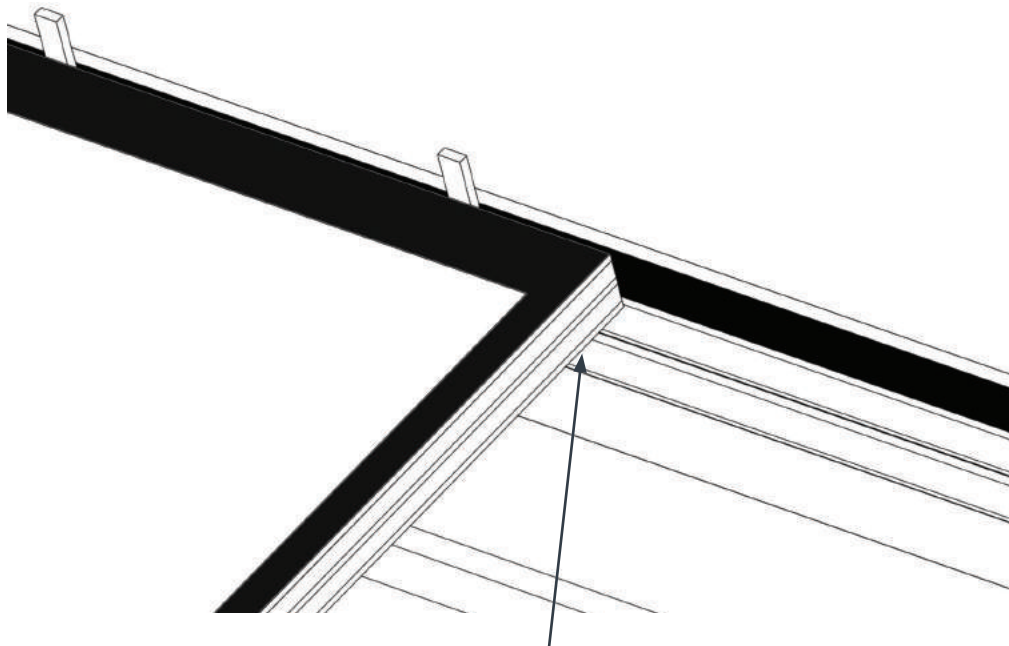


You are now ready to position the T-Bar. You should have enough sections of T-Bar to support the glass units where they meet. You will always have 1 less T-Bar compared to the amount of glass panels. So, a unit made up of 4 glass panels will have 3 lengths of T-bar. The sections will be readily prepared with glazing tape on both sides of the central spine.

STEP 15 - CUT A SECTION FROM THE PERIMETER EDGE FOAM WHERE THE T-BAR WILL BE POSITIONED

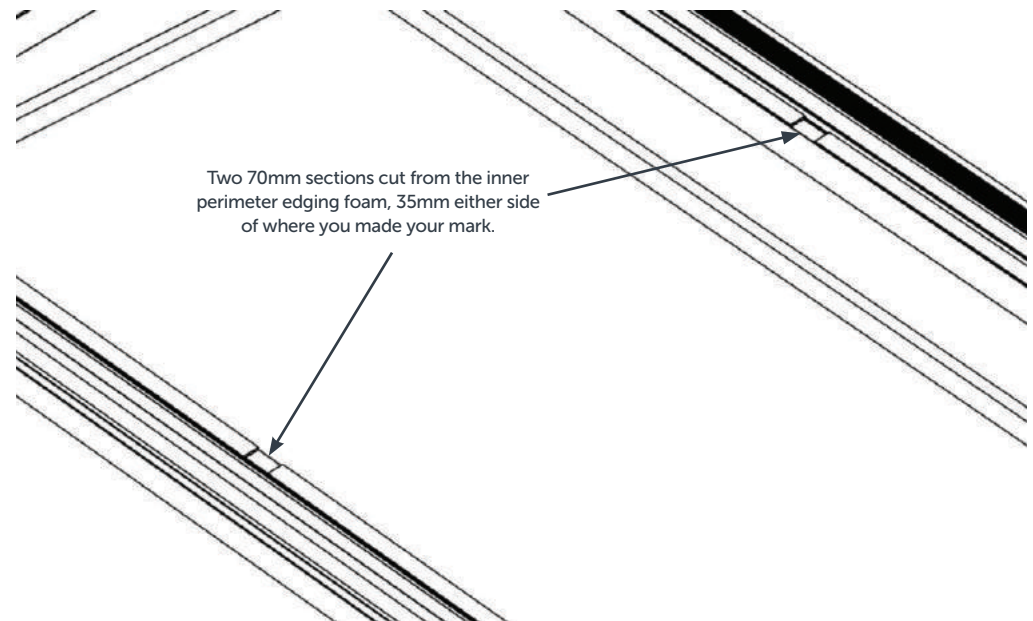
The edging foam that you initially applied to the inside perimeter of the upstand will need to be cut where the T-Bars will be positioned. This will only need to be done on the inside row of foam and the outer row can remain as is.

- i) Make a small mark on the inside rows of foam edging on both sides of the rooflight, where the edge of the first glass panel falls, now it has been positioned correctly.



Make a small mark on the inside row of edging foam, where the edge of the glass falls. Do this on the opposite side also, on the inside row.

- ii) When you have marked where the edge of the glass falls, remove the set glass panel and carefully put it to one side.
- iii) Mark 35mm either side of the mark you have made and cut away the 70mm of edging foam between your 2 marks.



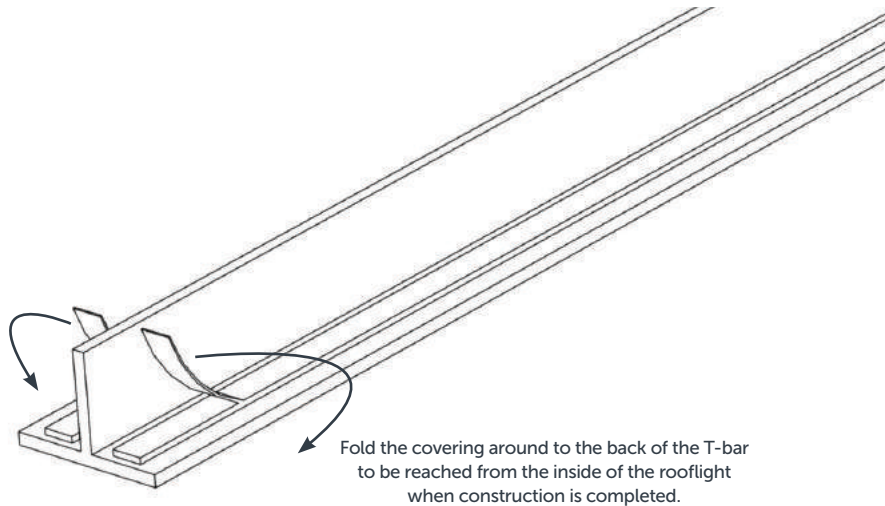
Two 70mm sections cut from the inner perimeter edging foam, 35mm either side of where you made your mark.

Re-position the first pane of glass as you did before, spacing it from the upstand on all 3 sides by 15mm, re-inserting your spacers for accuracy. Again, if you couldn't achieve a 15mm gap either side, where the glass sits between the upstand, ensure that the gap is equal at both sides.

STEP 16 – PREPARING THE FIRST SECTION OF T-BAR

- i) Prepare the first section of T-Bar by removing the first 5cm of protective covering from the glazing tape, folding it to the back of the T-Bar. This is so the film can be reached from the inside of the rooflight when completed. Not removing the entire cover at this stage will ensure that the glazing can be repositioned until it is level, ready for sealing.

Remove the first 5cm from both sides and at both ends of the bar.

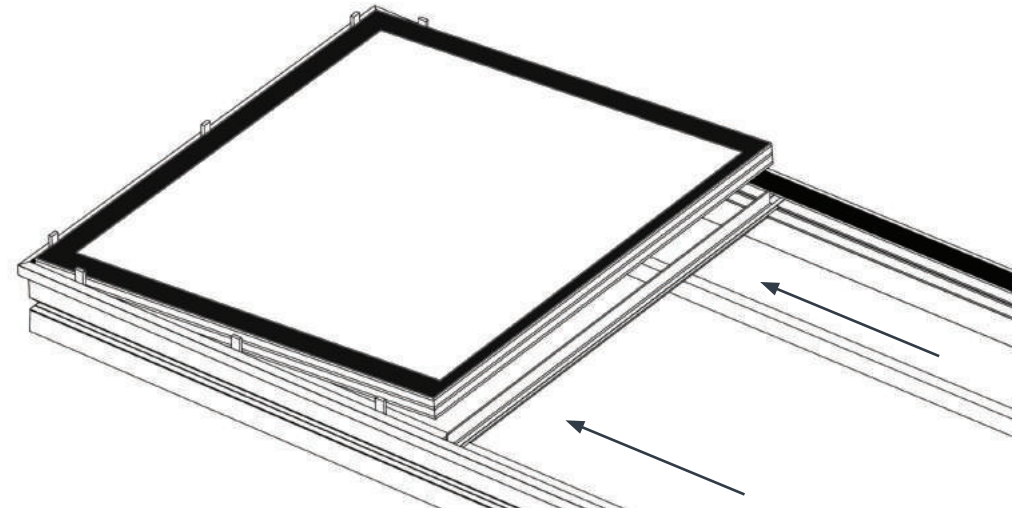


Do this at both ends of the bar.

You are now ready to position your first T-Bar

STEP 17 - INTRODUCING THE FIRST SECTION OF T-BAR

- i) Now the T-Bar is prepared, lift the glass slightly at the unsupported end of the panel and carefully feed the T-bar in underneath the glass as shown. The T-Bar will catch the upstand frame on either side by approx. 30mm – ensure that this is equal on both sides.



Rest the panel of glass back into position, ensuring that your packers are still placed at the first point.

STEP 18 - SETTING THE FIRST SECTION OF T-BAR

i) When you have positioned the T-Bar underneath the glass, use your tape measure to make sure that the edge of the glass is 5mm away from the central spine of the T-bar (edge to edge). Alternatively, use 5mm packers to make the spacing accurate. This should be fairly easy as the majority of the glazing tape cover will still be in place, allowing you to make any necessary adjustments.

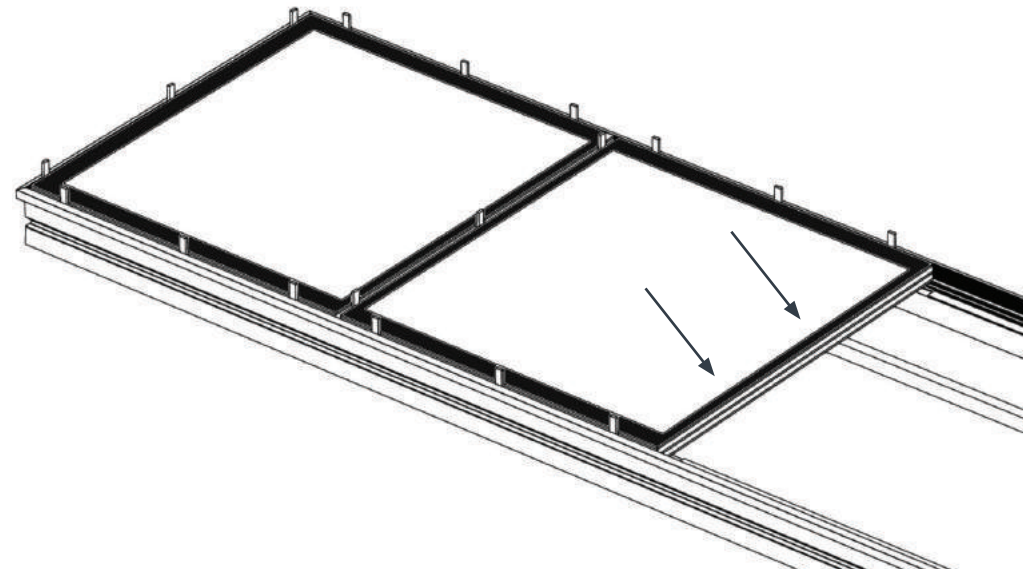


The first panel and T-bar are now positioned and you can prepare to bring in the next panel of glass.

STEP 19 - INTRODUCING THE SECOND PANEL OF GLASS

The second panel of glass that you place into the frame will have a wide ceramic border on 2 sides, opposite from each other and 2 narrow ceramic borders, also on opposite sides. You need to position the wider borders onto the upstand frame, with the narrow borders falling where the glass panels meet and the T-Bars will be positioned.

i) Position the second panel of glass so it is sat roughly 15mm from the first set panel, also equalling the gap either side where it sits between the upstand, as you did with the first panel.

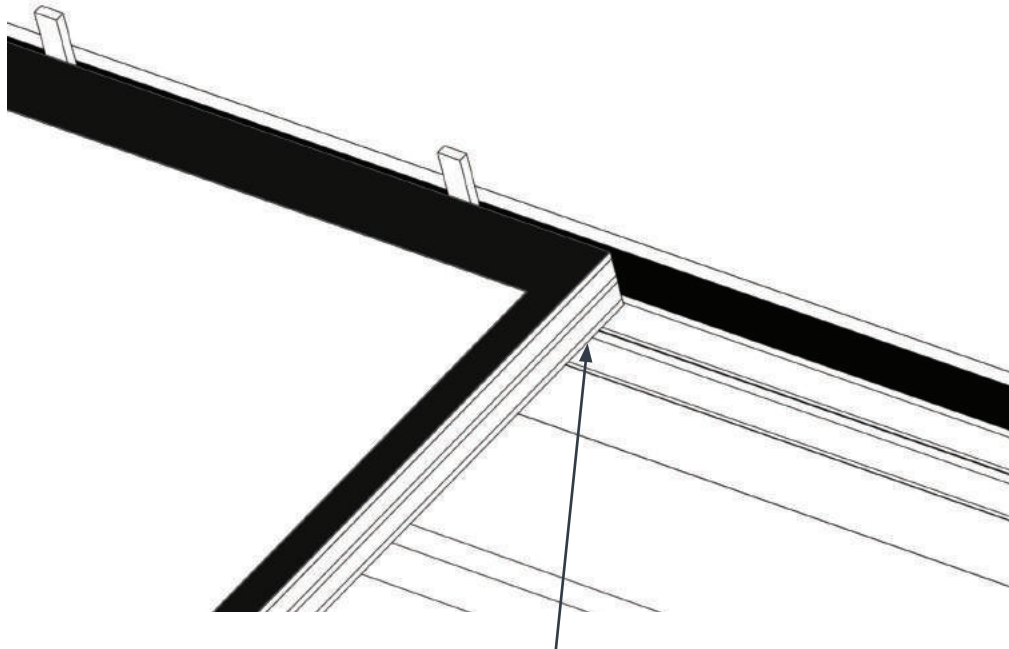


Use your packers to make accurate, the 15mm gap between the first and second panel of glass.

STEP 20 - CUT THE NEXT SECTION FROM THE PERIMETER EDGE FOAM WHERE THE T-BAR WILL BE POSITIONED

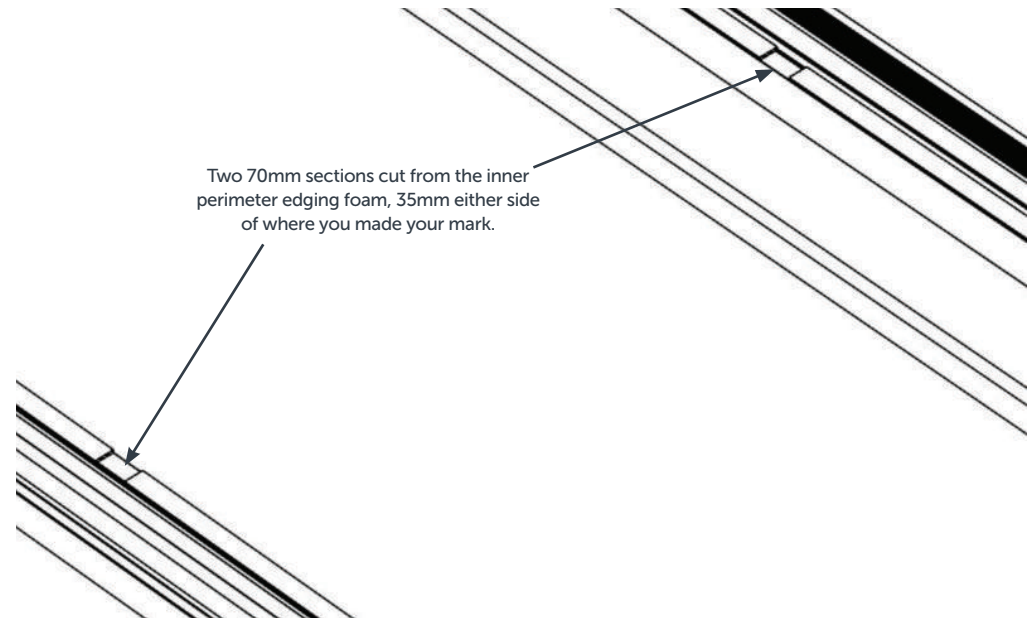
As with step 15, the edging foam applied to the inside perimeter of the upstand will need to be cut where the second T-Bar will be positioned. Again, this will only need to be done on the inside row of foam and the outer row can remain as is.

- i) Make a small mark on the inside rows of foam edging on both sides of the rooflight, where the edge of the glass panel falls, now it has been positioned correctly.



Mark onto the inside row of edging foam, where the edge of the glass falls. Do this on both sides of the rooflight.

- ii) When you have marked where the edge of the glass falls, remove the set glass panel and carefully put it to one side.
- iii) Make some more marks 35mm either side of the mark you have made and cut away the 70mm of edging foam



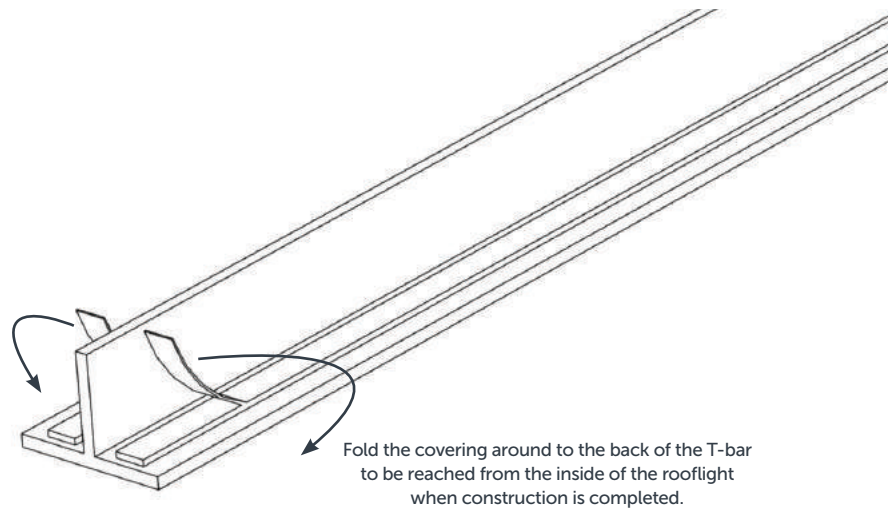
Two 70mm sections cut from the inner perimeter edging foam, 35mm either side of where you made your mark.

Re-position the second pane of glass as you did before, spacing it from the first set panel by 15mm, re-inserting your spacers for accuracy. Again, if you couldn't achieve a 15mm gap either side, where the glass sits between the upstand, ensure that the gap is equal at both sides. Keep the packers that separate the 2 panes of glass in place for the time being.

STEP 21 – PREPARING THE SECOND SECTION OF T-BAR

- i) Prepare the second section of T-Bar as you did with the first, by removing the first 5cm of protective covering from the glazing tape, folding it to the back of the T-Bar, so the film can be reached from the inside of the rooflight when completed.

Remove the first 5cm off both sides and at both ends of the bar.

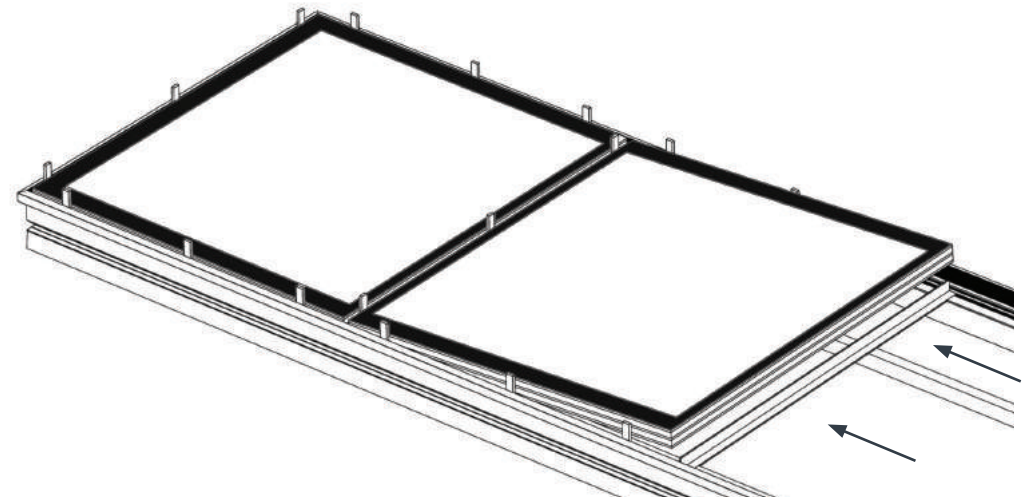


Do this at both ends of the bar.

You are now ready to position your second T-Bar

STEP 22 - INTRODUCING THE SECOND SECTION OF T-BAR

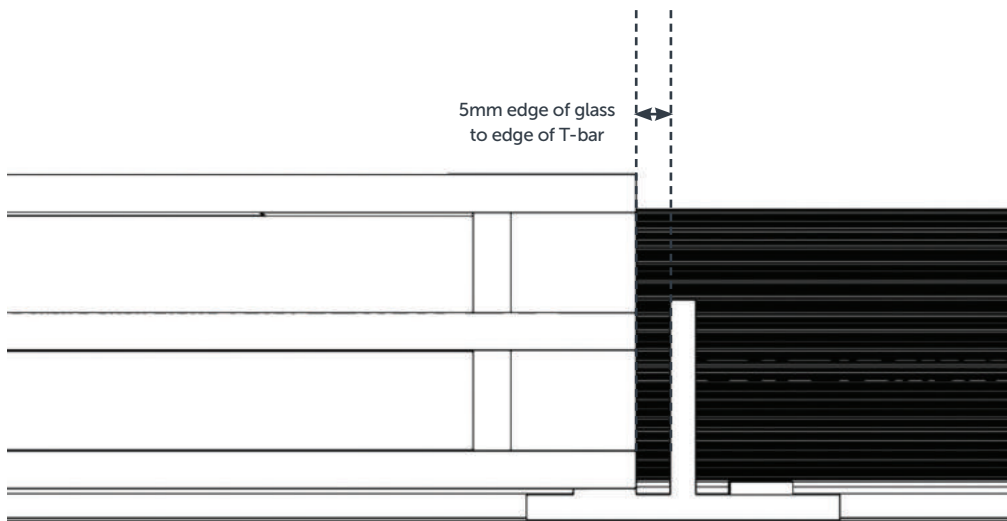
- i) Now the second T-Bar is prepared, lift the glass slightly at the unsupported end of the panel and carefully feed the T-bar in underneath the glass as shown. The T-Bar will catch the upstand frame on either side by approx. 30mm – ensure that this is equal on both sides.



Rest the panel of glass back into position, ensuring that your packers are still placed at the first point.

STEP 23 - SETTING THE SECOND SECTION OF T-BAR

i) When you have positioned the second T-Bar underneath the glass, use your tape measure to make sure that the edge of the glass is 5mm away from the central spine of the T-bar (edge to edge), as you did previously. You could alternatively use 5mm packers to make the spacing accurate.



Your second panel and T-bar are now positioned and you can prepare to bring in the next panel of glass.

STEP 24 - PROCEED TO CONTINUE GLAZING, FOLLOWING THE SAME PRINCIPLES

You can now continue to glaze the unit, using the same principles as outlined so far in the guide.

As outlined at the beginning of the document, ensure that you are using the correct panels of glass in the right places. Also ensure that the glass is positioned the right way up.

The last panel of glass to go into the unit will resemble the first panel, in that you will have 3 wide ceramic edges and 1 narrow ceramic edge on the side that meets with the preceding panel. All other panels of glass that sit between the first and last panels will have 2 wide borders on the sides that sit on the upstand frame and 2 narrow borders where the T-Bars will be positioned.

Ensure that all panels are separated by 15mm as you work your way down the unit and keep the packers in place that separate each panel.

Lastly, ensure that the central spines of the T-bars do not come into contact with the glass panels that they are dividing. Setting the bar 5mm from the previous panel of glass should ensure that this is prevented.

Continue to glaze the unit until you are ready to position your final panel of glass

STEP 25 - POSITIONING THE FINAL PANEL OF GLASS

- i) When you are at the point where you are ready to position your final panel of glass, lower it into place and set it 15mm from the previous panel of glass with your packers. Ensure that the 3 wide ceramic borders fall on the 3 sides of upstand.



You should be left with a 15mm space at the end of the unit when the final panel is positioned. If the gap left at the end of the run is either too wide, or too narrow to insert your 15mm packers, the next section will help you to amend this.

STEP 26 - CHECKING THE POSITIONING OF THE GLASS

- i) Measure the final gap at the end of the rooflight, between the edge of the last panel of glass and the upstand. This should measure approx. 15mm.
- ii) Should this not be the case, you will then need to compensate for this by repositioning the glass panels slightly along the entire length of the rooflight. Use your handheld suction pads to assist here.

For example, you have positioned the final panel of glass and are left with a 20mm gap at the end, between the glass and upstand frame...

Divide the difference (+5mm) between the amount of splits in the glazing that you have, which will give you the size that you need to increase each gap by along the entire rooflight

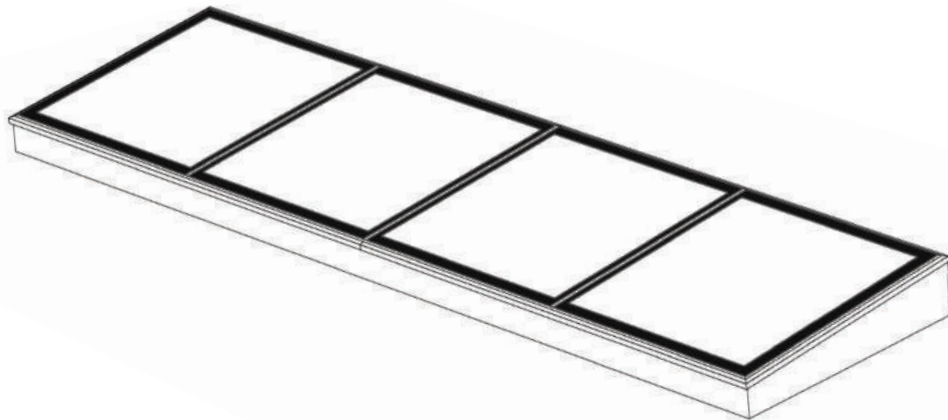
Example – if you have a 20mm (+5mm) gap at the end, which should be the standard 15mm, and you have a total of 5 gaps in the glazing, including both ends of the rooflight between the glass and upstand frame, this will mean that you need to increase all the gaps in the glazing to 16mm (+1mm for each gap) which will make the glass positioning equal, all the way across the rooflight.

If at the end of the run you are left with a 10mm gap (-5mm) which should be the standard 15mm, and you have a total of 5 gaps in the glazing, including each end of the rooflight between the glass and upstand frame, this will mean that you need to decrease all the gaps in the glazing to 14mm (-1mm for each gap) which will make the glass positioning equal, all the way across the rooflight.

You shouldn't need to move the glass to the extent that the T-bars will need to be moved, but in scenarios where the repositioning of the glass makes the glass touch the central spine of the T-bars, or anything looks out of line from below, you will need to gently move the T-Bar accordingly.

STEP 26 - CHECKING THE POSITIONING OF THE GLASS CONTINUED

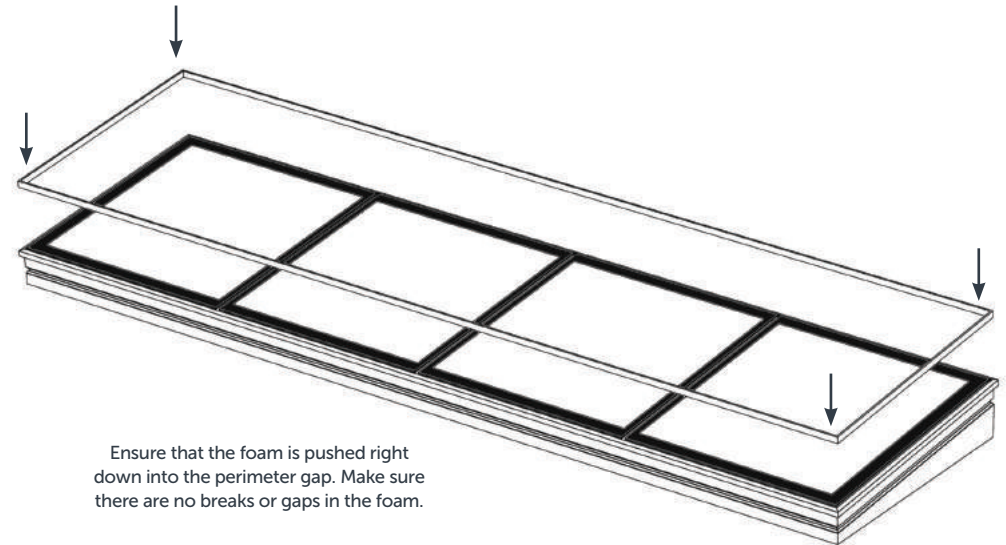
- iii) Once the gaps have been equalled along the length of the rooflight, between each panel, make one final check that the gaps between the upstand frames and glass, running the length of the rooflight, either side, are equal in size and line up along the entire length of the rooflight
- iv) Remove the glazing packers in preparation for sealing.



STEP 27 - INSERTING EDGING FOAM INTO THE PERIMETER BETWEEN THE GLASS AND UPSTAND

Once you are happy that all glazing is set accurately and neatly, you are nearly ready to seal all of the glazing panels with the provided silicone.

- i) Take the provided roll of foam edging without the sticky backing and push it into the gap between the glass panels and upstand frame on all 4 sides of the rooflight, pushing it down as far as possible

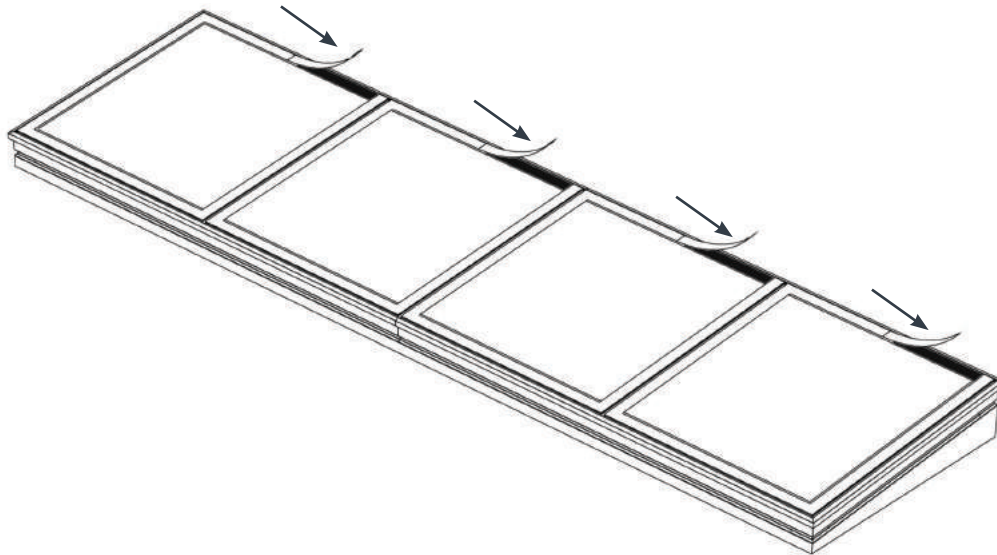


Ensure that the foam is pushed right down into the perimeter gap. Make sure there are no breaks or gaps in the foam.

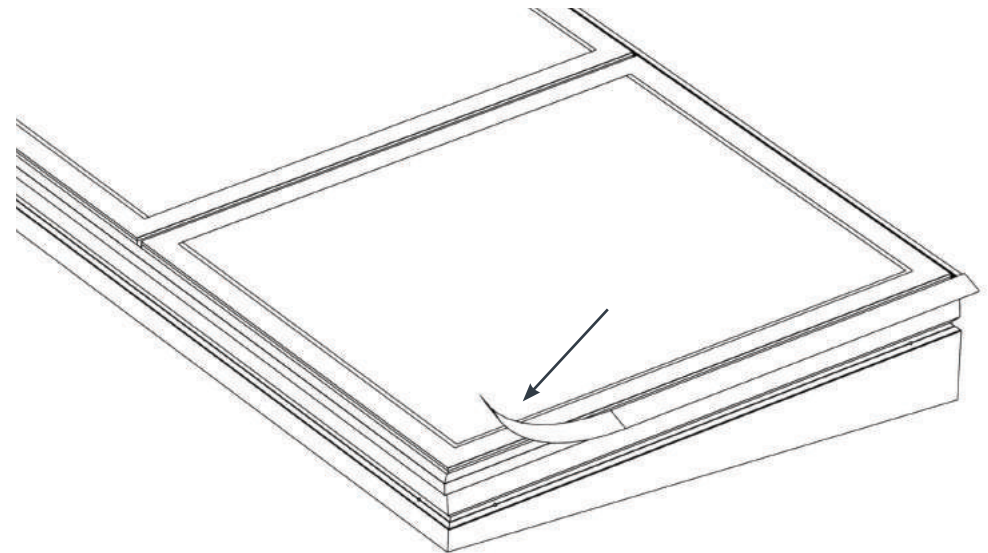
STEP 28 - MASKING OF THE GLASS AND UPSTAND FRAME

- i) Before sealing the unit, it is advisable that you apply masking tape to all 4 sides of all glass panels. This may take time but will make the clean up process toward the end of the build easier.

Apply the masking tape neatly to all 4 sides of your glass panels. Ensure that the tape doesn't hang over the edge. You can set it in 1mm approx. from the edge of the glass to avoid this. This will ensure that when you remove the tape, you do not pull any silicone out of the joint.



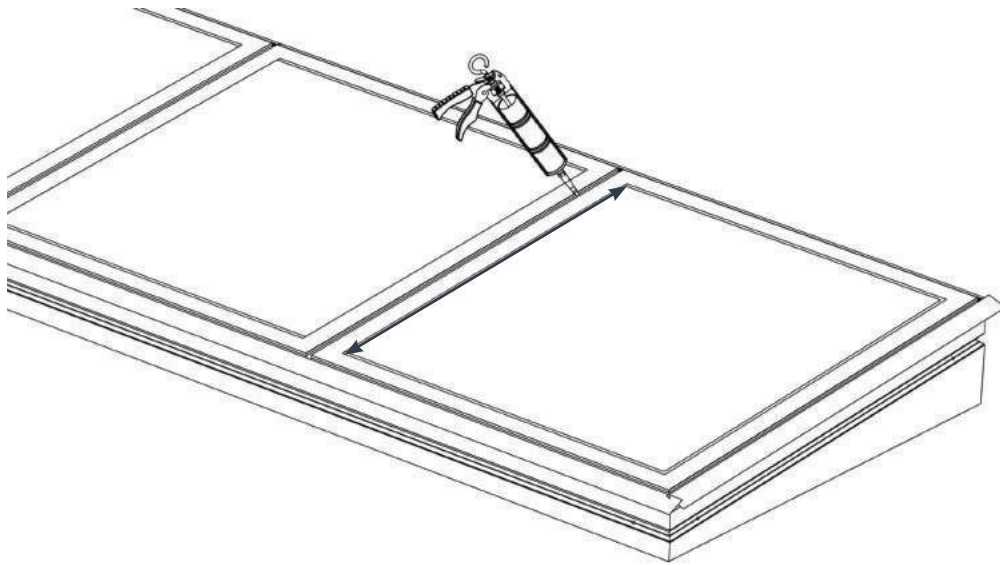
- ii) Now we recommend that you mask the drip overhang of the upstand frame on all 4 sides of the rooflight. Again, do not let the masking tape go over the edge of the drip lip to the inside edge of the rooflight, just on the top face. You can employ the same principal as you did with the glass by setting it away from the edge by approx. 1mm. This will ensure that when you remove the tape, you do not pull any silicone out of the joint.



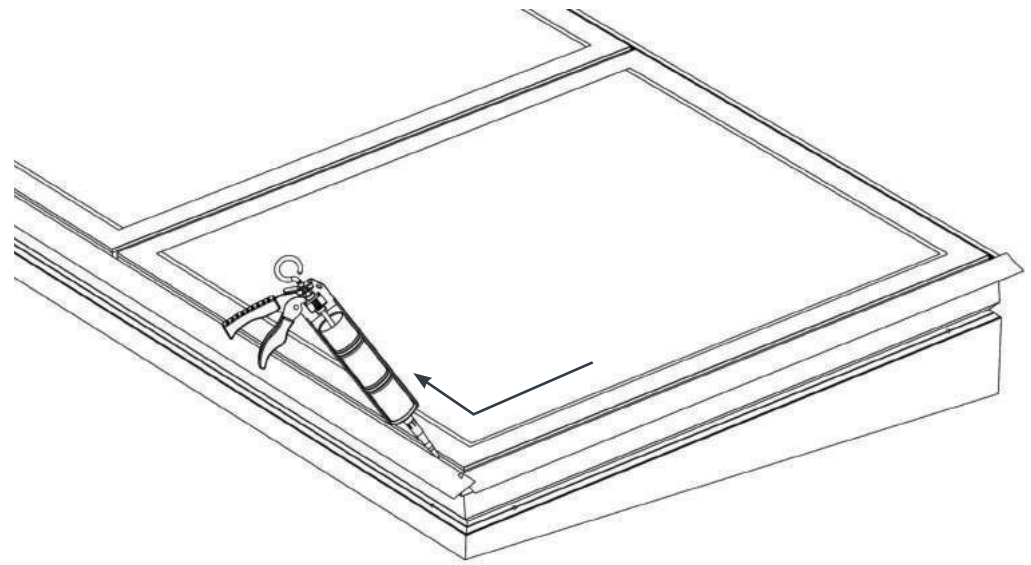
You are now ready to seal the glass panels with the provided silicone

STEP 29 - SEALING THE GLASS WITH SILICONE

i) Apply a generous amount of silicone into the spaces between your glass panels as shown.
Repeat this for all of the joints between the glass panels.



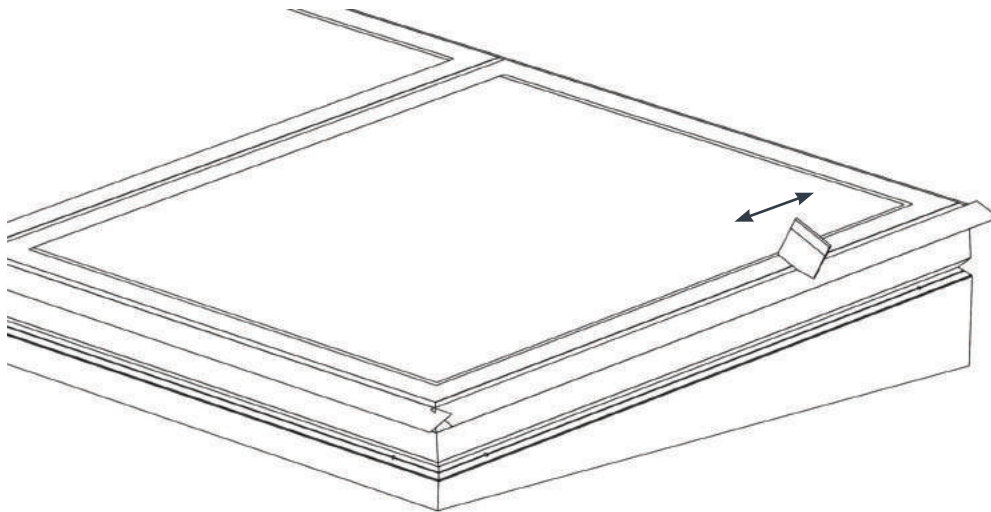
ii) Next, use the silicone to generously fill the perimeter gap between all of the glass panels and upstand frame on all 4 sides of the rooflight.



Add sealant until you are happy that all gaps in the glazing are generously filled.

STEP 30 - FINISHING THE ROOFLIGHT - TIDYING UP OF EXCESS SILICONE

- i) Use your silicone smoothing tool to smooth out and remove excess silicone as required, giving all of the joins a nice flat smooth finish.

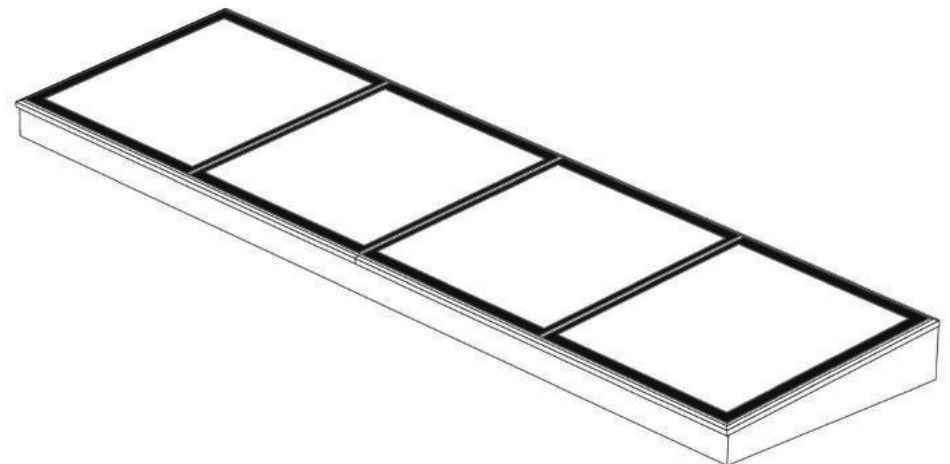


- ii) Wipe away any excess silicone from the glass and frame as required with a damp cloth.

STEP 31 - FINISHING THE ROOFLIGHT - REMOVING THE MASKING TAPE

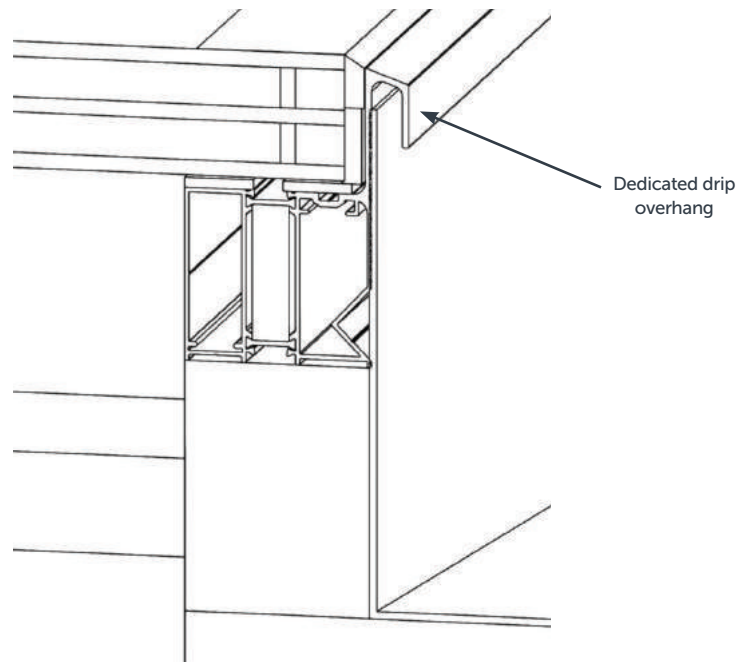
- i) You can now carefully remove the masking tape that you applied to the perimeter of the glass panels and upstand frame.
- ii) As required, carry out any further smoothing that might be needed following the removal of the masking tape, also wiping away any excess silicone with a damp cloth.
- iii) From the inside of the rooflight, carefully peel away the glazing tape protective covering from the T-bars, that you left running to the inside of the rooflight earlier on in the build. There will be 2 strips for each T-bar.

The assembly of your flat modular rooflight is now complete! And you are now ready to flash the upstand with your chosen roof membrane.



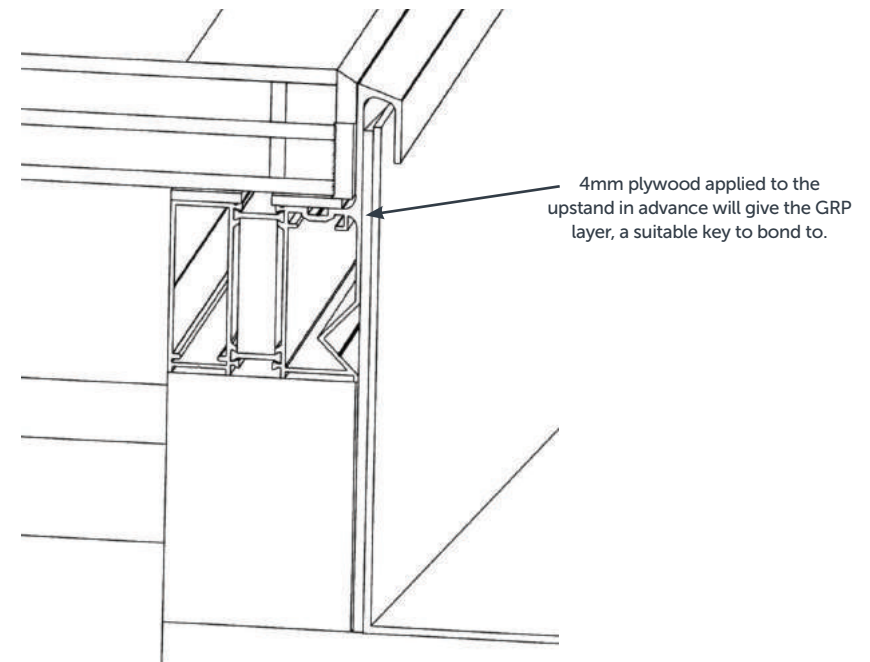
STEP 32.1 - FLASHING/WEATHER-PROOFING GUIDELINES – (SHEET MEMBRANE)

i) Ensure the roof membrane is tucked right under the dedicated drip lip that sits just under the glass. This is important as it acts as the final weathering stage to avoid water ingress in this area. Take a look at the diagram below which illustrates this detail. If using a torch on felt, we recommend that you cut your membrane to the correct size, fold back and pre-heat with your heat gun. Only then should you apply it to the side of the unit. This will prevent you from damaging the unit by applying heat directly.



STEP 32.2 - FLASHING/WEATHER-PROOFING GUIDELINES – (GRP MEMBRANE)

i) When using GRP to finish roof, silicone bond a 4mm plywood border around the upstand and kerb. Screw fix into the timber kerb if you wish to make this more secure. This will provide a more suitable surface for the GRP to adhere to. Ensure that this goes right up underneath the drip lip as the below image shows. Also, ensure that your GRP membrane finishes underneath the drip lip.



Your rooflight assembly is now finished!

For internal plaster finishing details please refer the cross-section fitting guide, located on page 29 of this guide.

FLAT MODULAR ROOFLIGHT - CROSS SECTION FITTING GUIDE

The below cross section diagram illustrates how you need to finish your plastering, for units both with and without blackout blinds. Blackout blinds can be achieved in sizes up to and including 3000mm x 2000mm (rooflight dimensions).

